

Cost-effective Rollover Protective Structure (CROPS)

for Wheeled Agricultural Tractors

FORD 8N SERIES

TECHNICAL DRAWINGS

DEPARTMENT OF HEALTH AND HUMAN SERVICES
Centers for Disease Control and Prevention
National Institute for Occupational Safety and Health



This document is in the public domain and may be freely copied or reprinted.

Disclaimer

Mention of any company or product does not constitute endorsement by the National Institute for Occupational Safety and Health (NIOSH). In addition, citations to Web sites external to NIOSH do not constitute NIOSH endorsement of the sponsoring organizations or their programs or products. Furthermore, NIOSH is not responsible for the content of these Web sites. All Web addresses referenced in this document were accessible as of the publication date.

Ordering Information

To receive documents or other information about occupational safety and health topics, contact NIOSH at

Telephone: 1-800-CDC-INFO (1-800-232-4636)

TTY: 1-888-232-6348

E-mail: cdcinfo@cdc.gov

or visit the NIOSH Web site at www.cdc.gov/niosh.

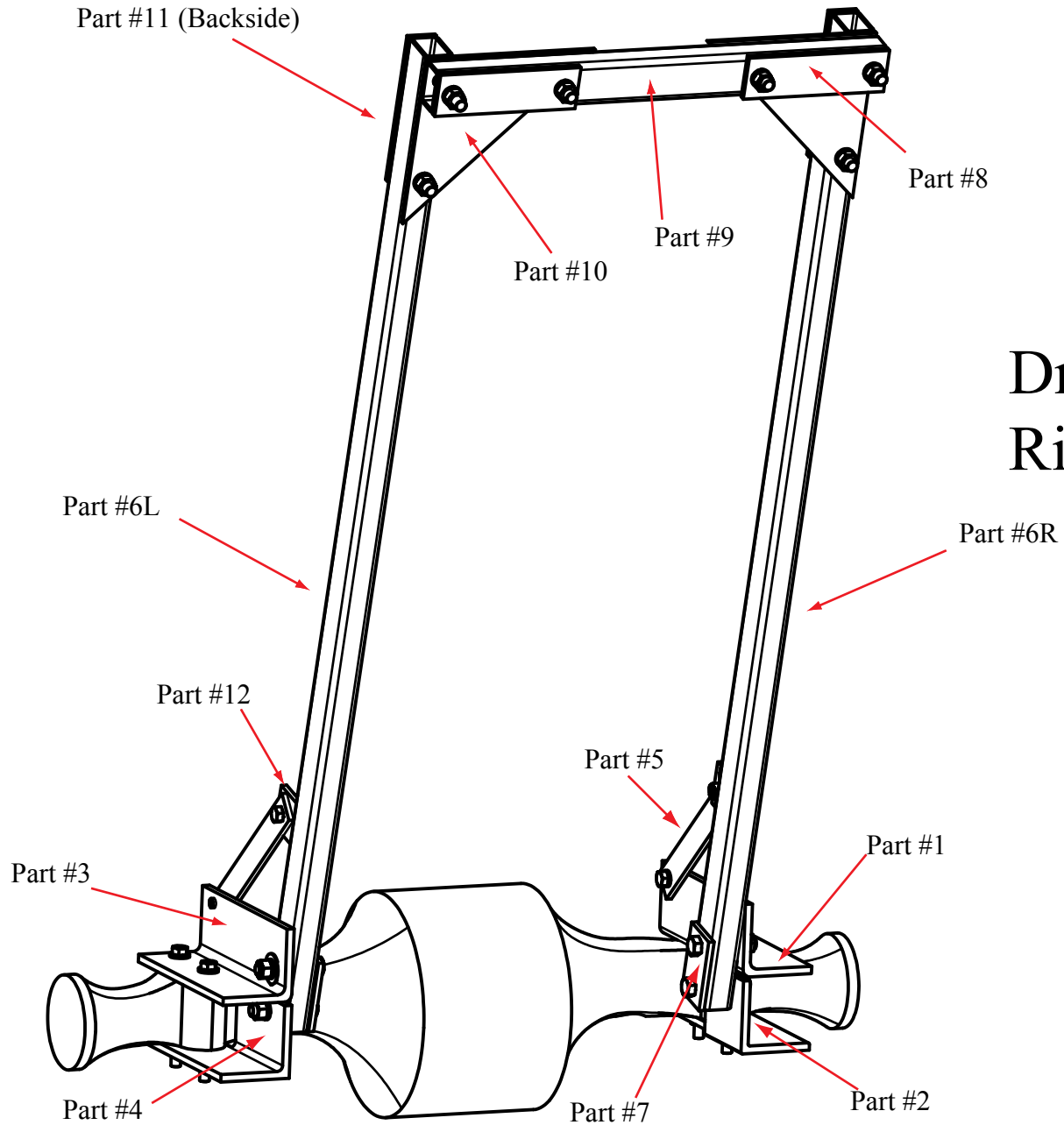
For a monthly update on news at NIOSH, subscribe to NIOSH eNews by visiting www.cdc.gov/niosh/eNews.

SAFER • HEALTHIER • PEOPLE™

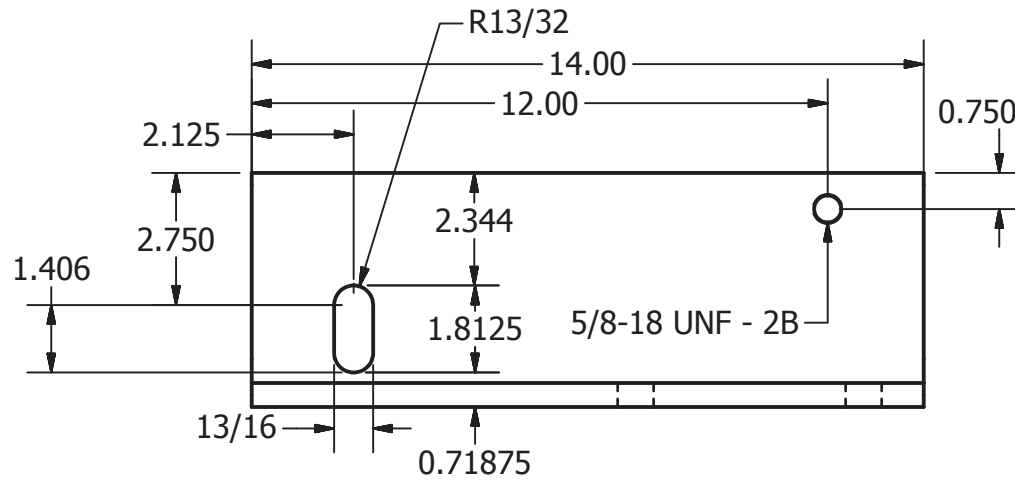
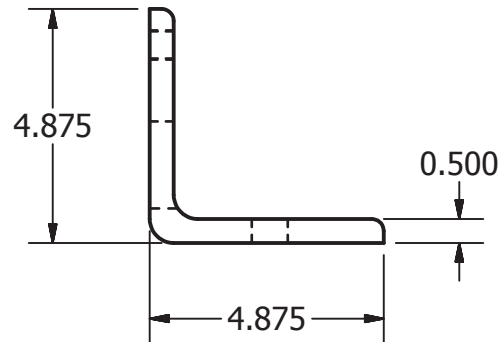
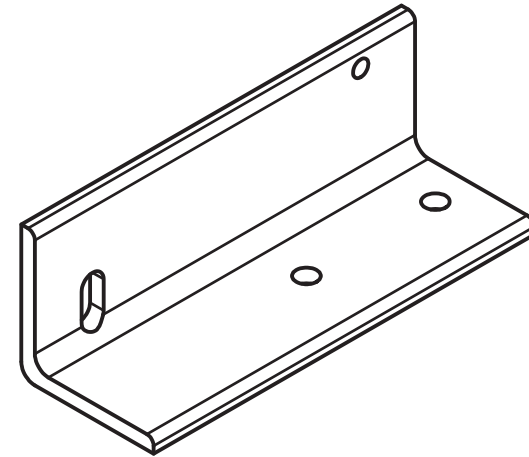
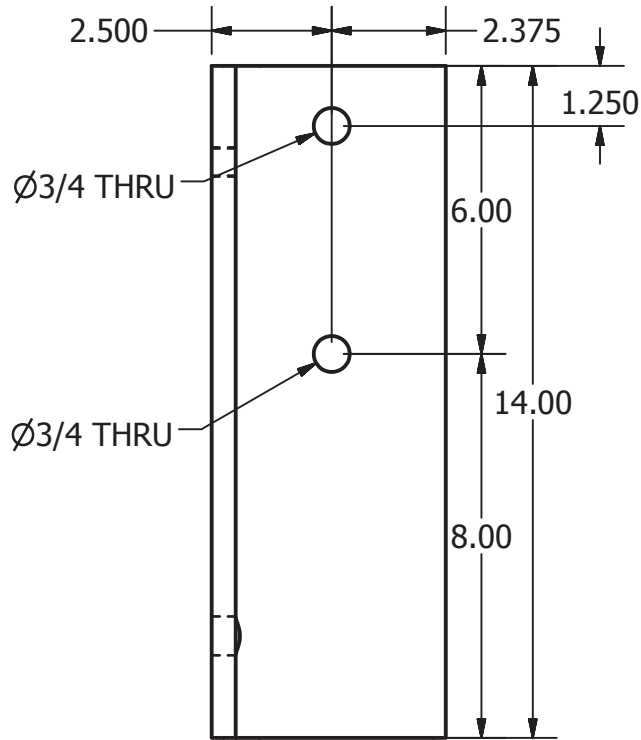
Ford 8N Parts

Driver's
Left Side

Driver's
Right Side

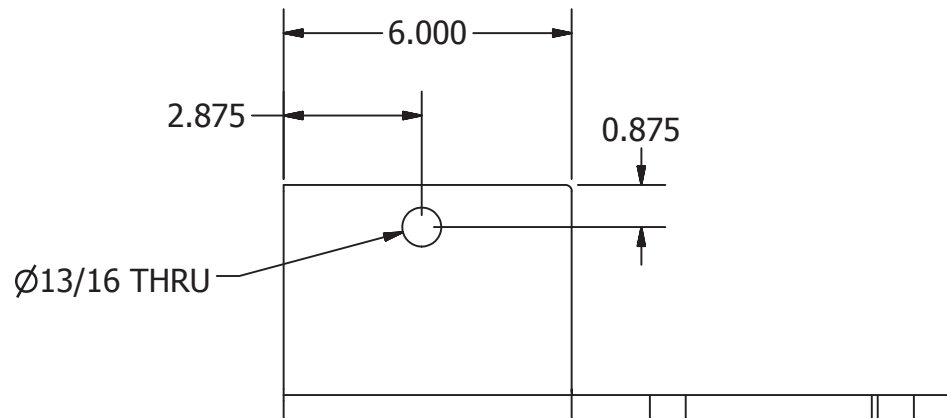
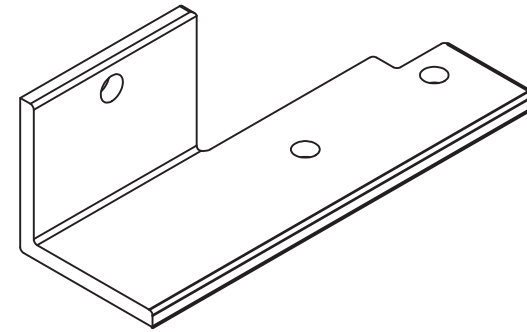
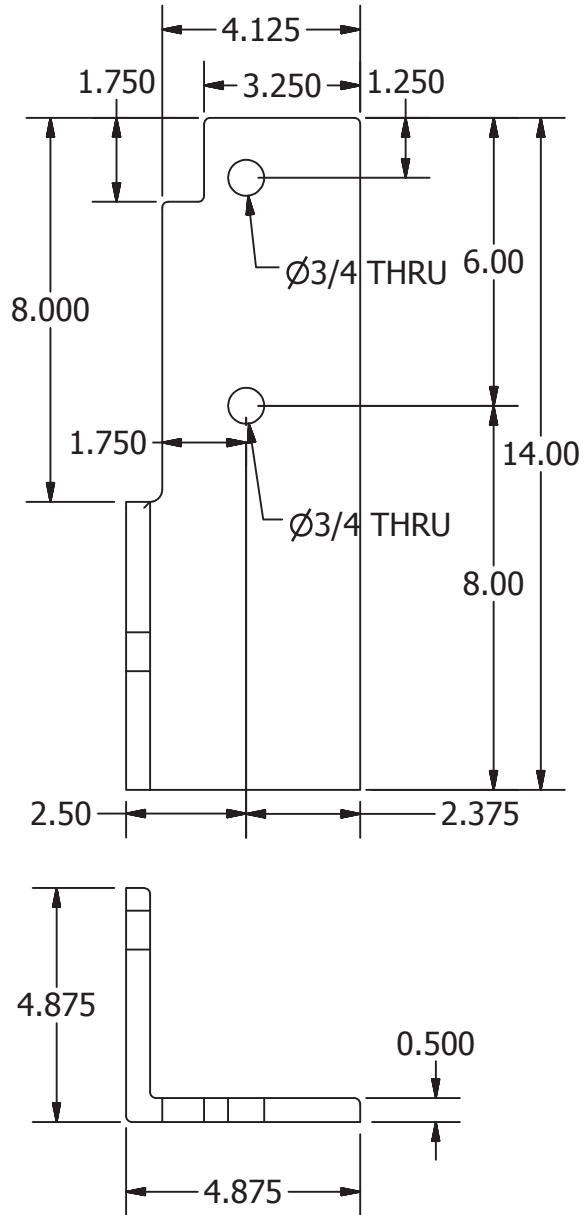


Ford 8N Part #1
Top Right Axle Bracket
Rev 8/18/2011 EAM



Units = Inches: A572-Grade 50 Plate (or A36 Min Yield of 50)

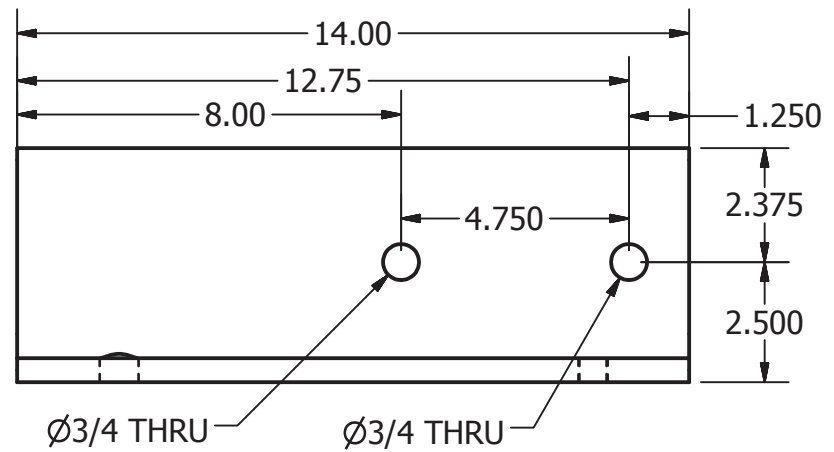
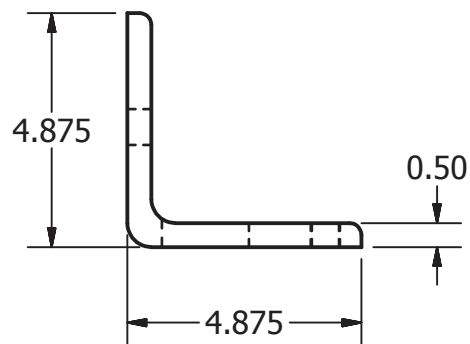
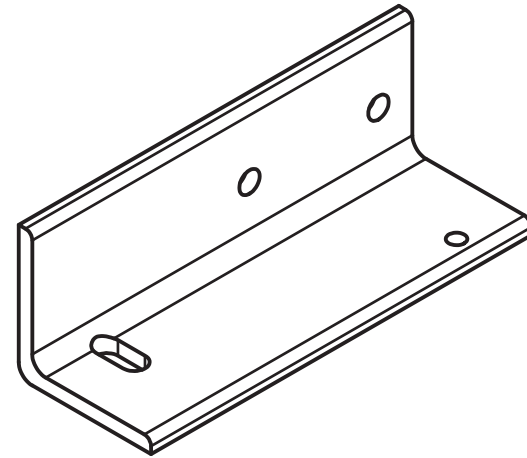
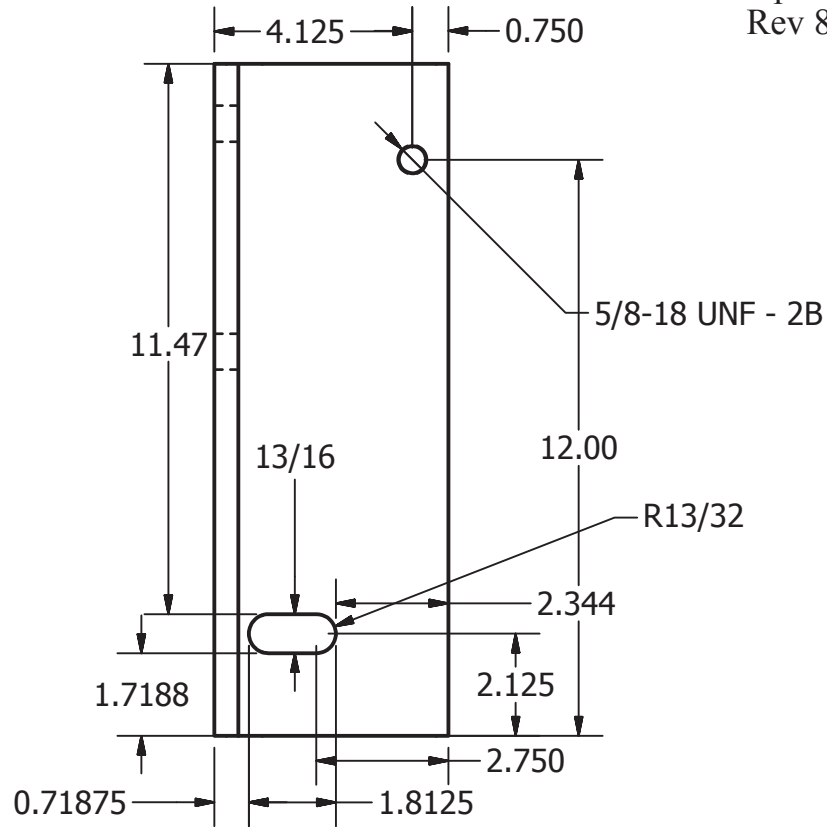
Ford 8N Part #2
Bottom Right Axle Bracket
Rev 8/18/2011 EAM



Ford 8N Part #3

Top Left Axle Bracket

Rev 8/18/2011 EAM

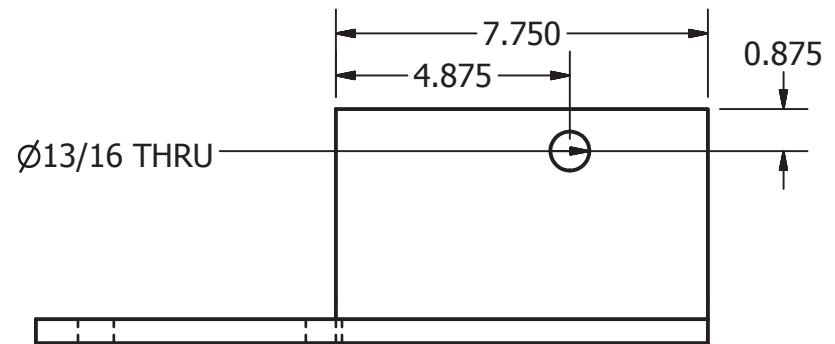
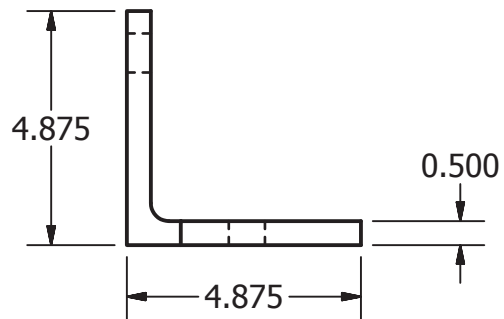
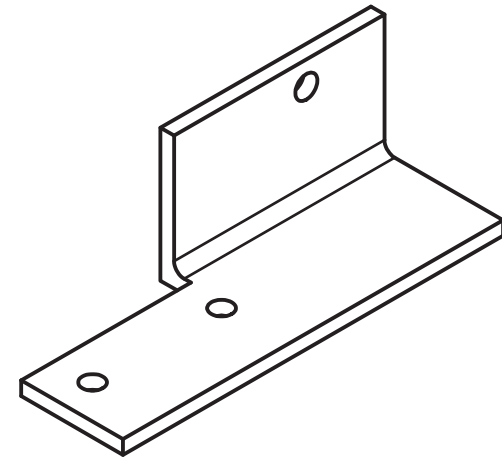
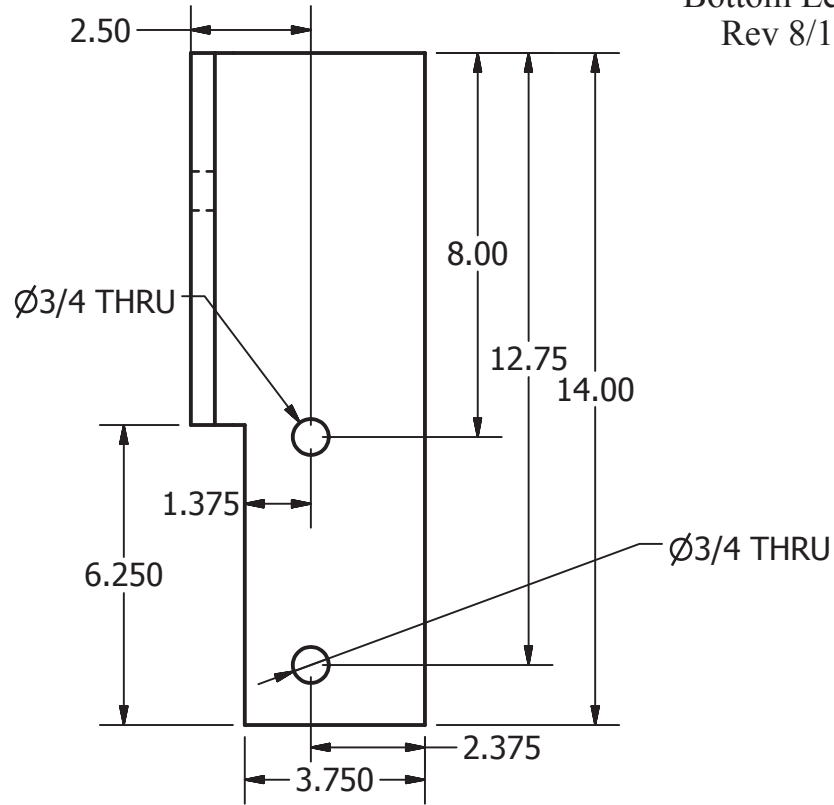


Units = Inches: A572-Grade 50 Plate (or A36 Min Yield of 50)

Ford 8N Part #4

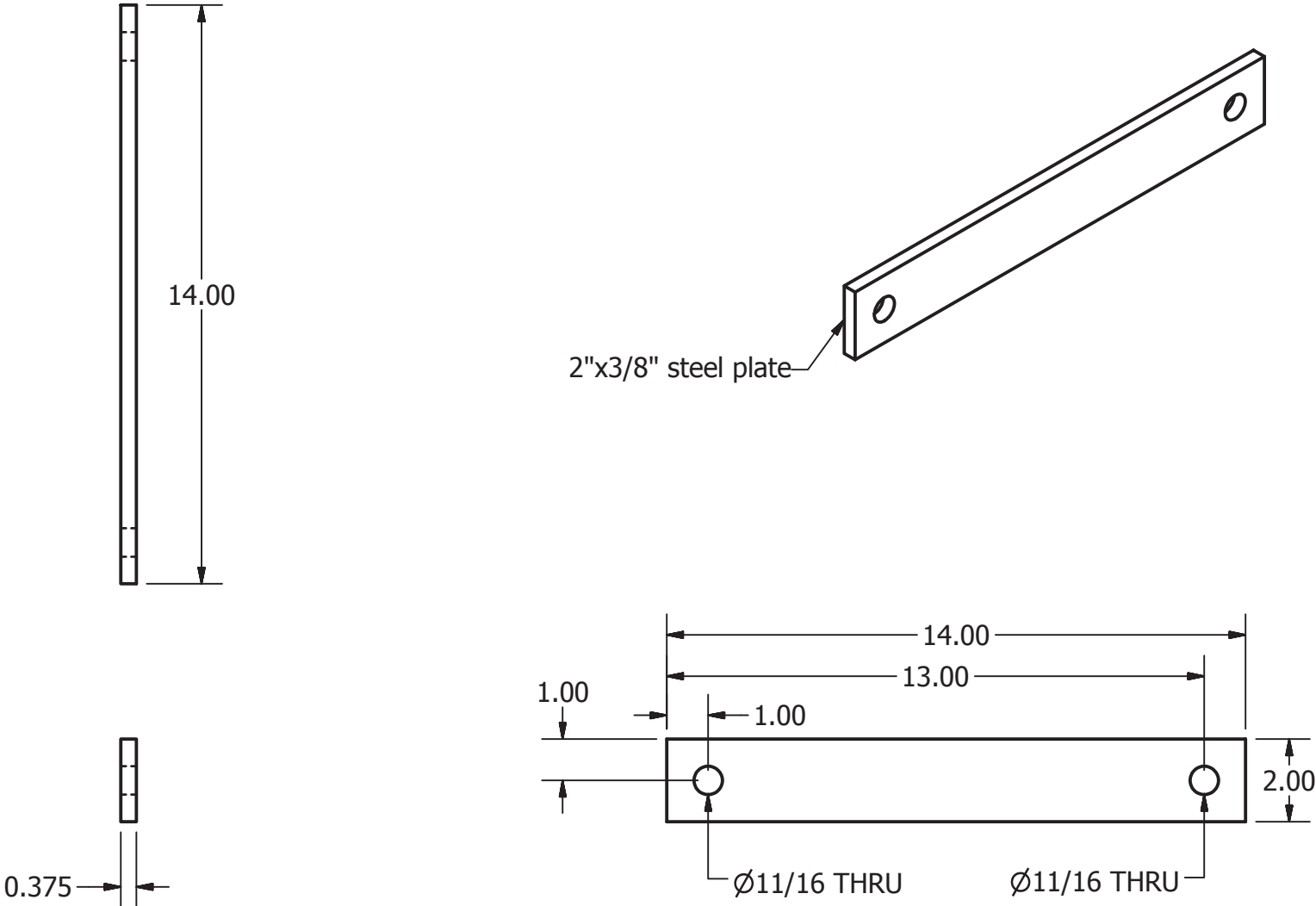
Bottom Left Axle Bracket

Rev 8/18/2011 EAM



Units = Inches: A572-Grade 50 Plate (or A36 Min Yield of 50)

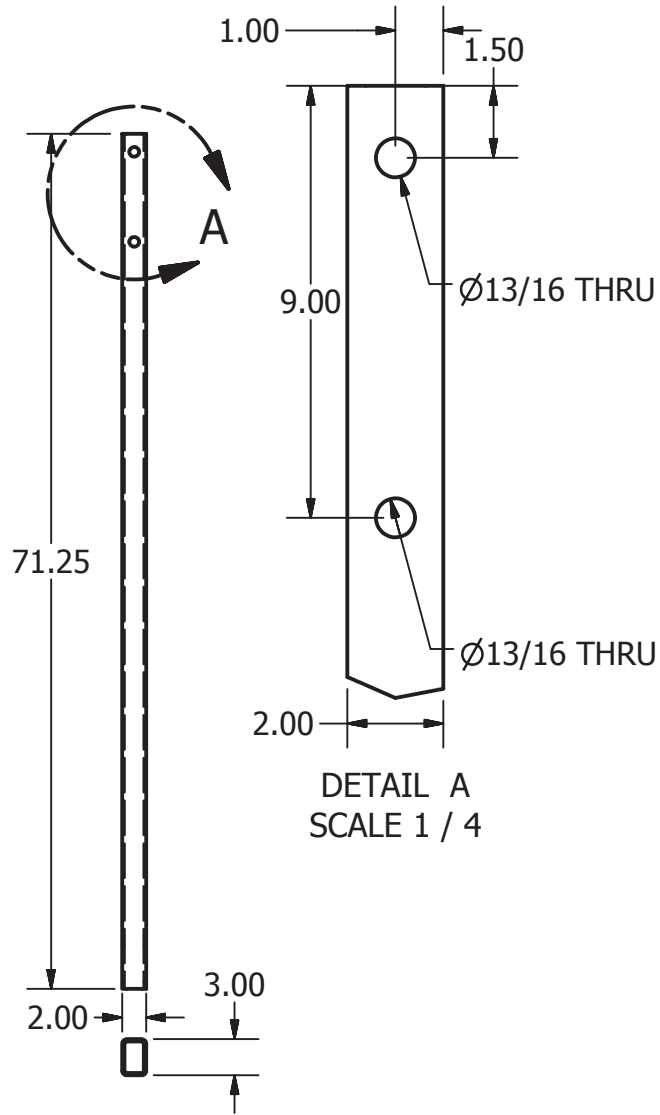
Ford 8N Part #5
Vertical Tube Bolted Brace
Rev 8/18/2011 EAM



Units = Inches: A572-Grade 50 Plate (or A36 Min Yield of 50)

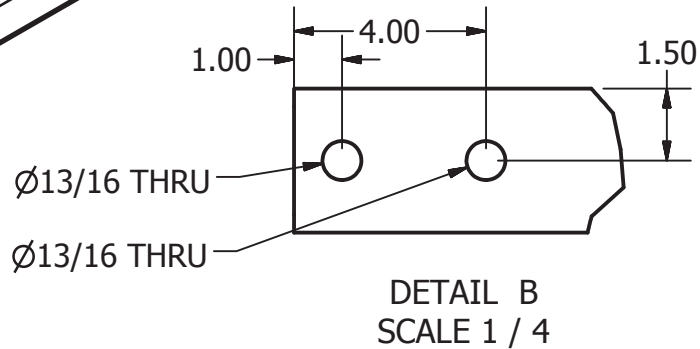
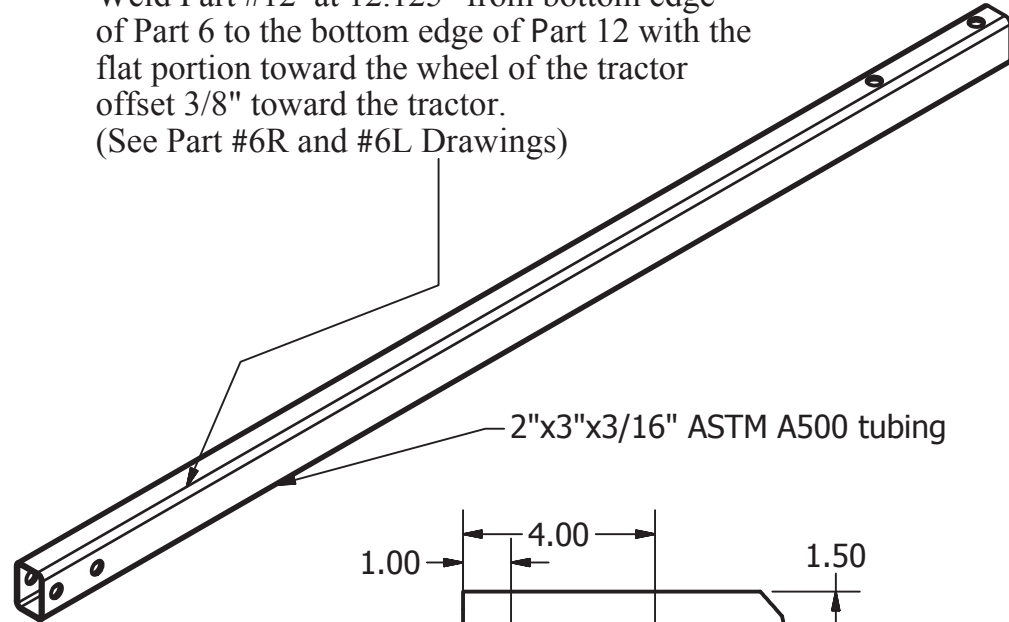
Ford 8N Part #6

Vertical Tube
Rev 8/18/2011 EAM



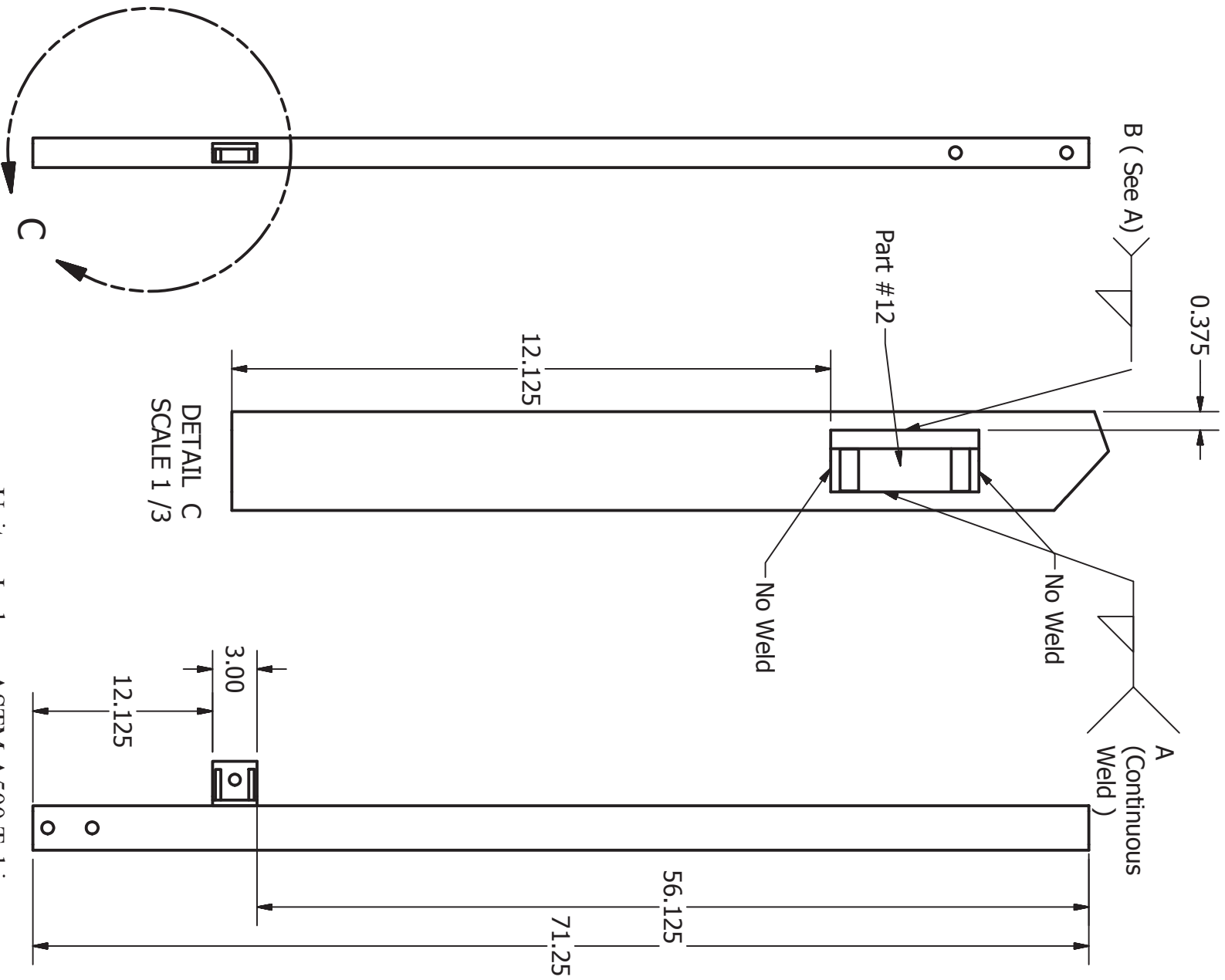
DETAIL A
SCALE 1 / 4

Weld Part #12 at 12.125" from bottom edge of Part 6 to the bottom edge of Part 12 with the flat portion toward the wheel of the tractor offset 3/8" toward the tractor.
(See Part #6R and #6L Drawings)



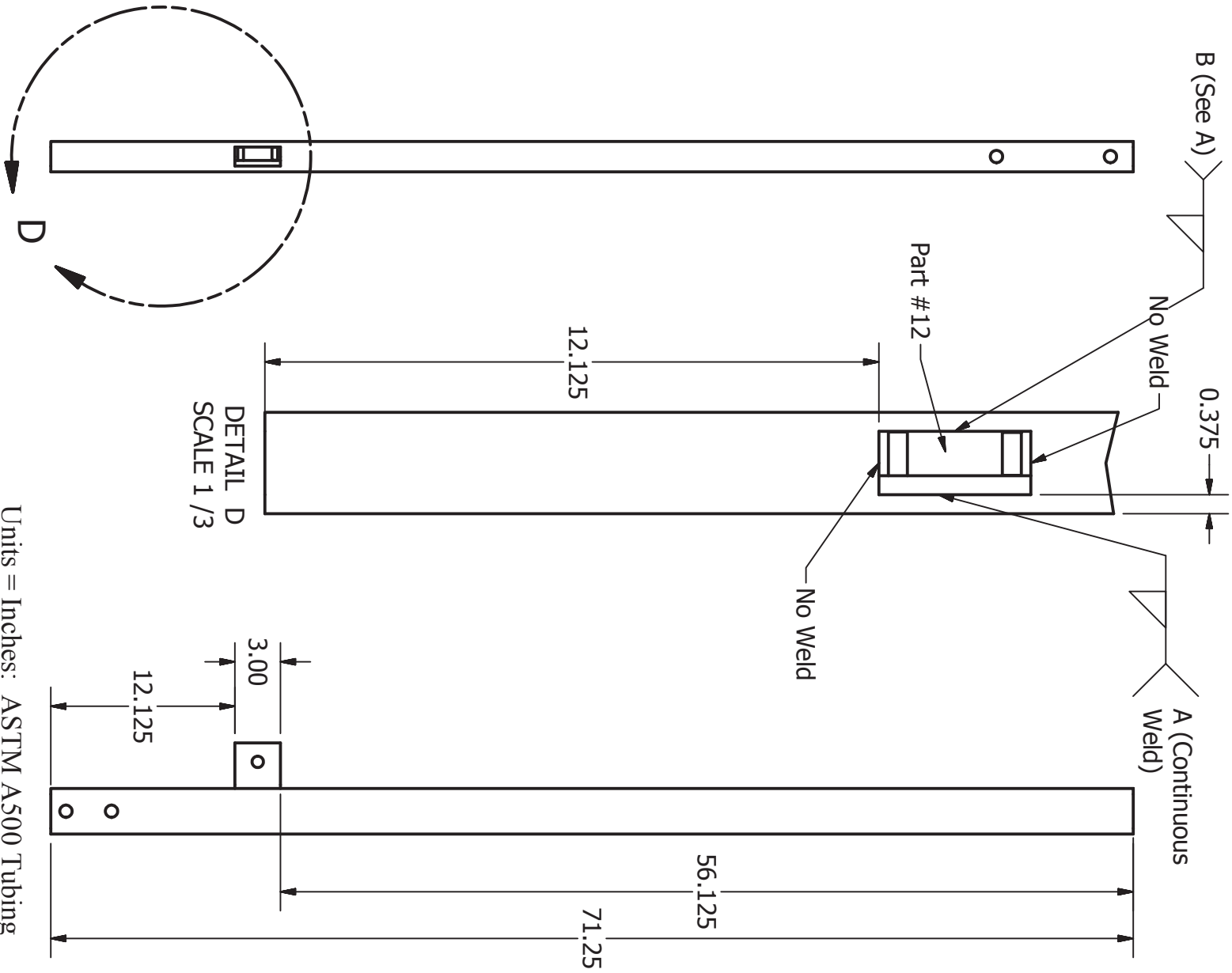
Units = Inches: ASTM A500 Tubing

Ford 8N Part #6R
Right Vertical Tube
Rev 8/18/2011 EAM



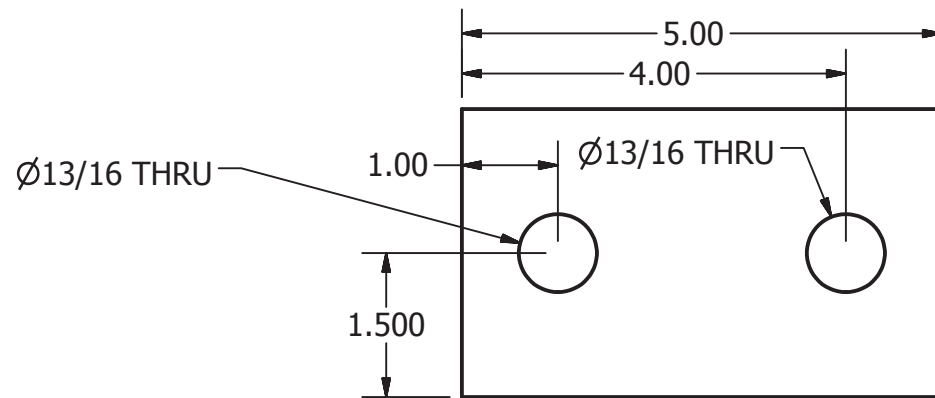
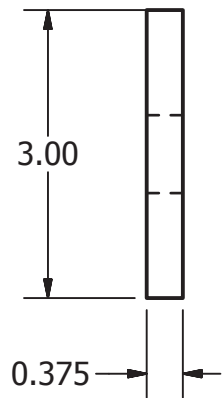
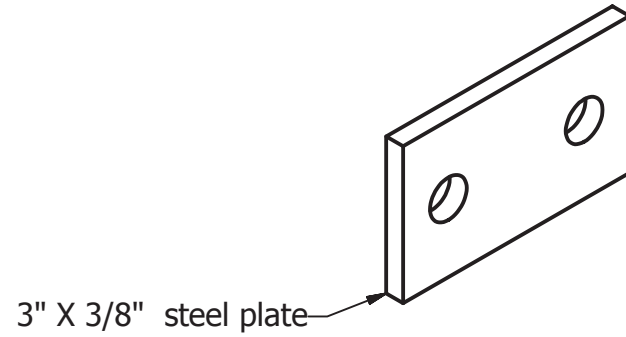
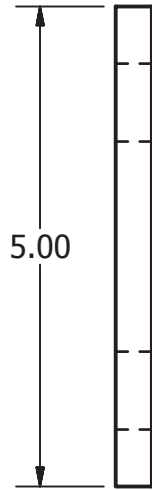
Units = Inches: ASTM A500 Tubing

Ford 8N Part #6L
Left Vertical Tube
Rev 8/18/2011 EAM



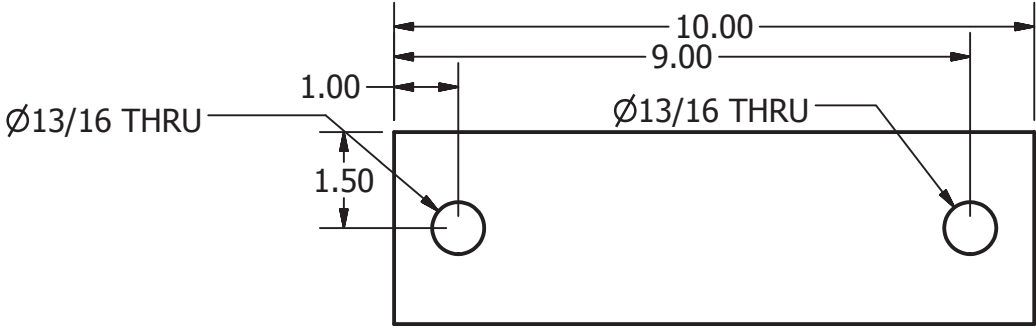
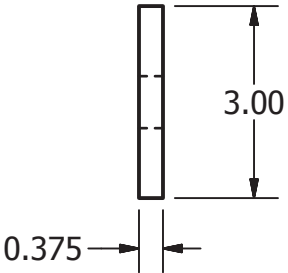
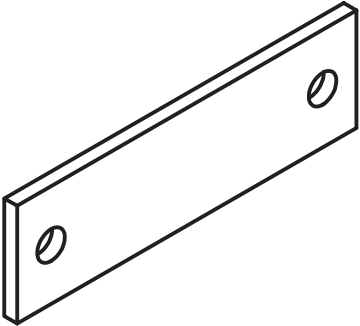
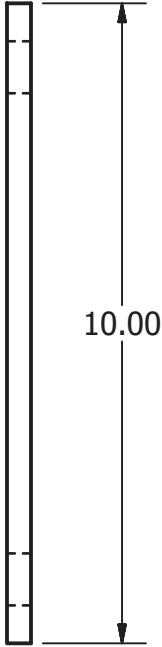
Units = Inches: ASTM A500 Tubing

Ford 8N Part #7
Bottom Vertical Tube Backing Plate
Rev 8/18/2011 EAM



Units = Inches: A572-Grade 50 Plate (or A36 Min Yield of 50)

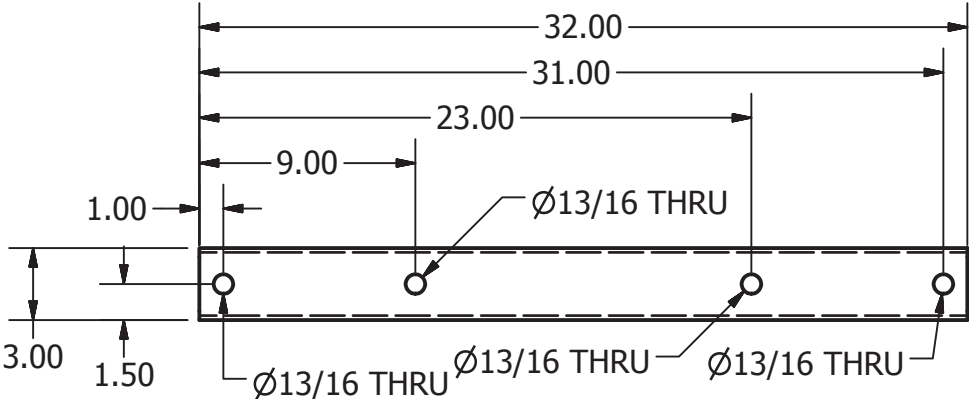
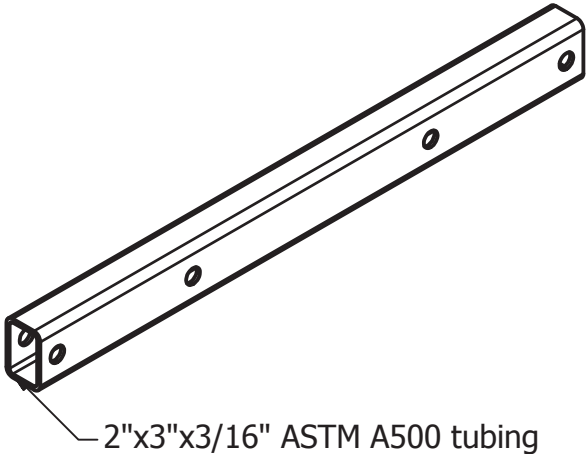
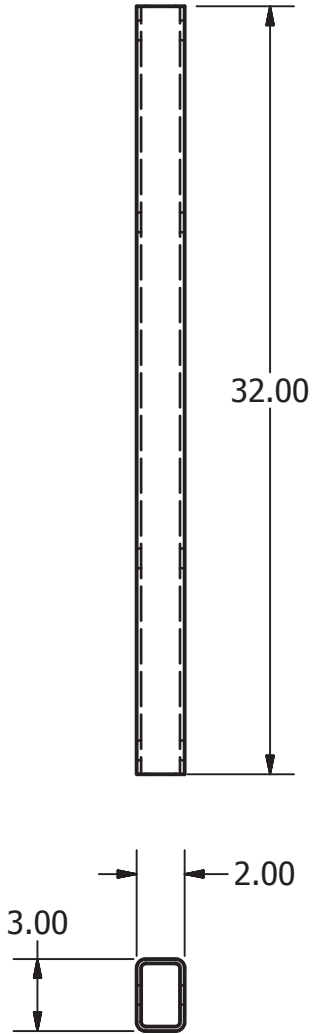
Ford 8N Part #8
Cross Bar Backing Plate
Rev 8/18/2011 EAM



Units = Inches: A572-Grade 50 Plate (or A36 Min Yield of 50)

Ford 8N Part #9

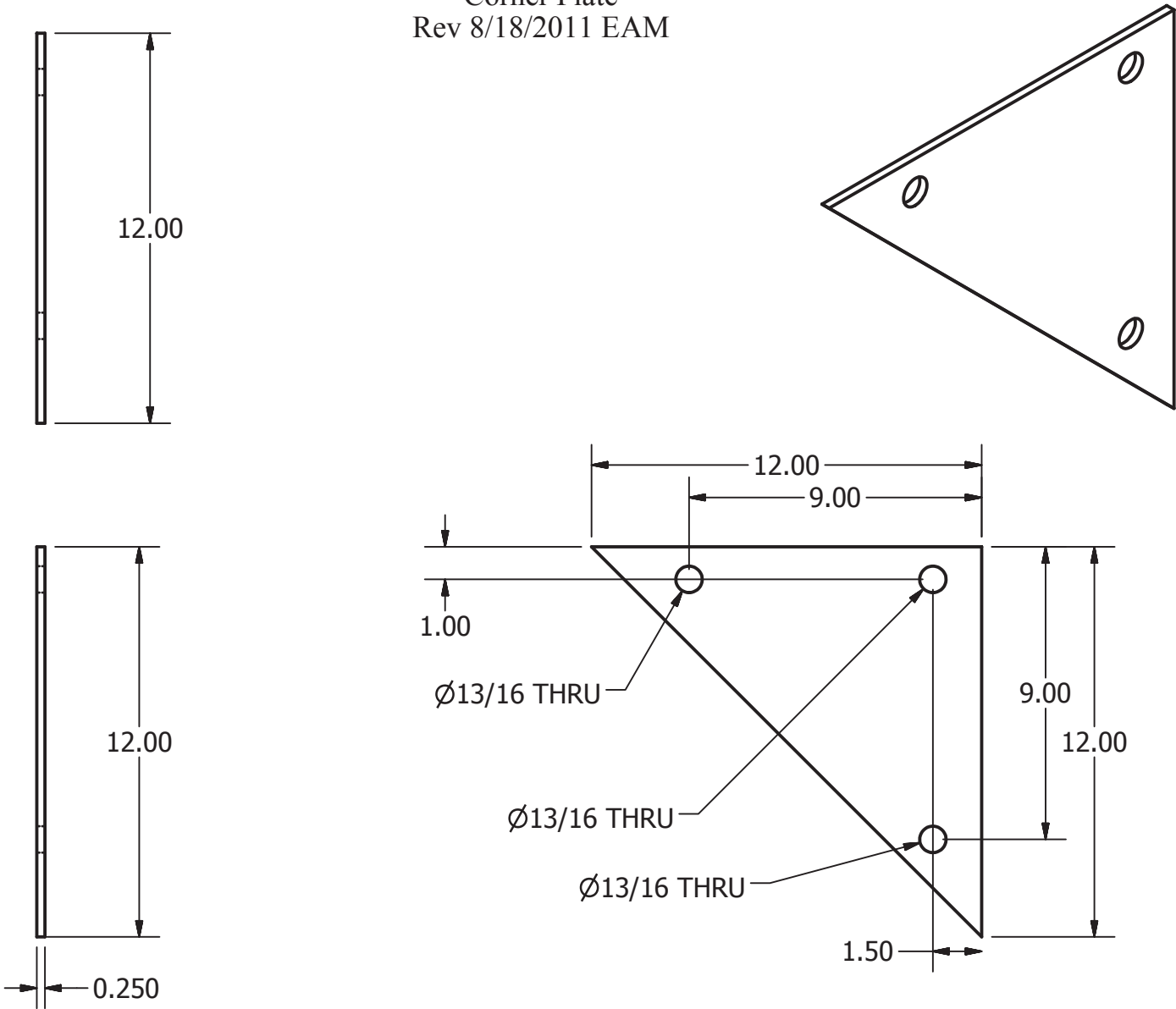
Cross Bar
Rev 8/18/2011 EAM



Units = Inches: ASTM A500 Tubing

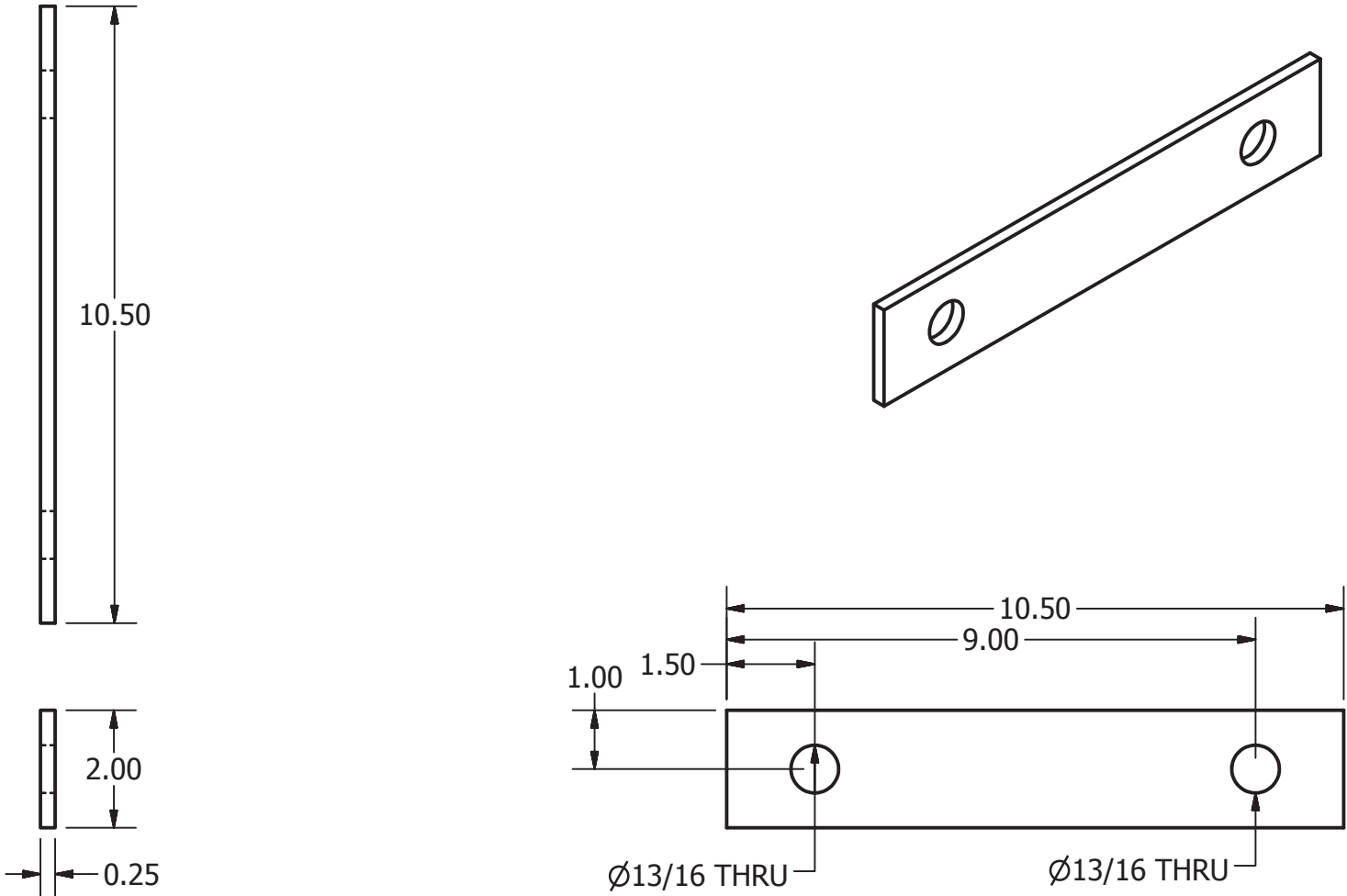
Ford 8N Part #10

Corner Plate
Rev 8/18/2011 EAM



Units = Inches: A572-Grade 50 Plate (or A36 Min Yield of 50)

Ford 8N Part #11
Top Vertical Tube Backing Plate
Rev 8/18/2011 EAM

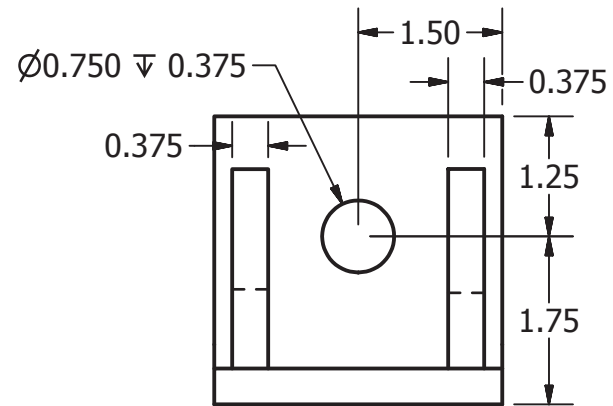
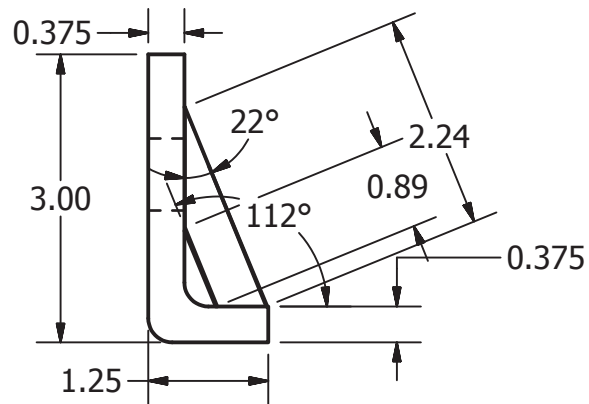
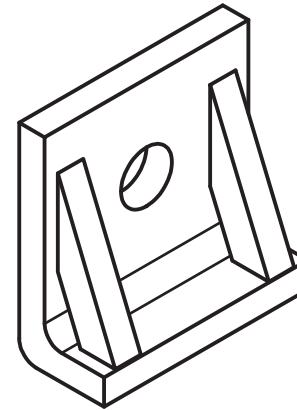
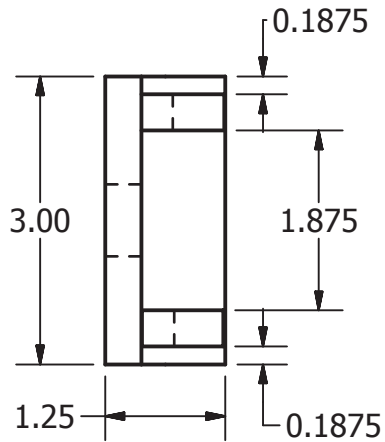


Units = Inches: A572-Grade 50 Plate (or A36 Min Yield of 50)

Ford 8N Part #12

Vertical Tube Welded Brace

Rev 8/18/2011 EAM



Units = Inches: A572-Grade 50 Plate (or A36 Min Yield of 50)



**Delivering on the Nation's promise:
Safety and health at work for all people
through research and prevention**

To receive documents or other information about occupational safety and health topics, contact NIOSH at

Telephone: 1-800-CDC-INFO (1-800-232-4636)

TTY: 1-888-232-6348

E-mail: cdcinfo@cdc.gov

or visit the NIOSH Web site at www.cdc.gov/niosh.

For a monthly update on news at NIOSH, subscribe to NIOSH eNews by visiting www.cdc.gov/niosh/eNews.

SAFER • HEALTHIER • PEOPLE™