

Cost-effective Rollover Protective Structure (CROPS)

for Wheeled Agricultural Tractors

Massey Ferguson 135 SERIES

TECHNICAL DRAWINGS

Note: “Left” and “Right” refer to the tractor operators’ left or right as they sit in the seat looking forward.

DEPARTMENT OF HEALTH AND HUMAN SERVICES
Centers for Disease Control and Prevention
National Institute for Occupational Safety and Health



This document is in the public domain and may be freely copied or reprinted.

Disclaimer

Mention of any company or product does not constitute endorsement by the National Institute for Occupational Safety and Health (NIOSH). In addition, citations to Web sites external to NIOSH do not constitute NIOSH endorsement of the sponsoring organizations or their programs or products. Furthermore, NIOSH is not responsible for the content of these Web sites. All Web addresses referenced in this document were accessible as of the publication date.

Ordering Information

To receive documents or other information about occupational safety and health topics, contact NIOSH at

Telephone: 1-800-CDC-INFO (1-800-232-4636)

TTY: 1-888-232-6348

E-mail: cdcinfo@cdc.gov

or visit the NIOSH Web site at www.cdc.gov/niosh.

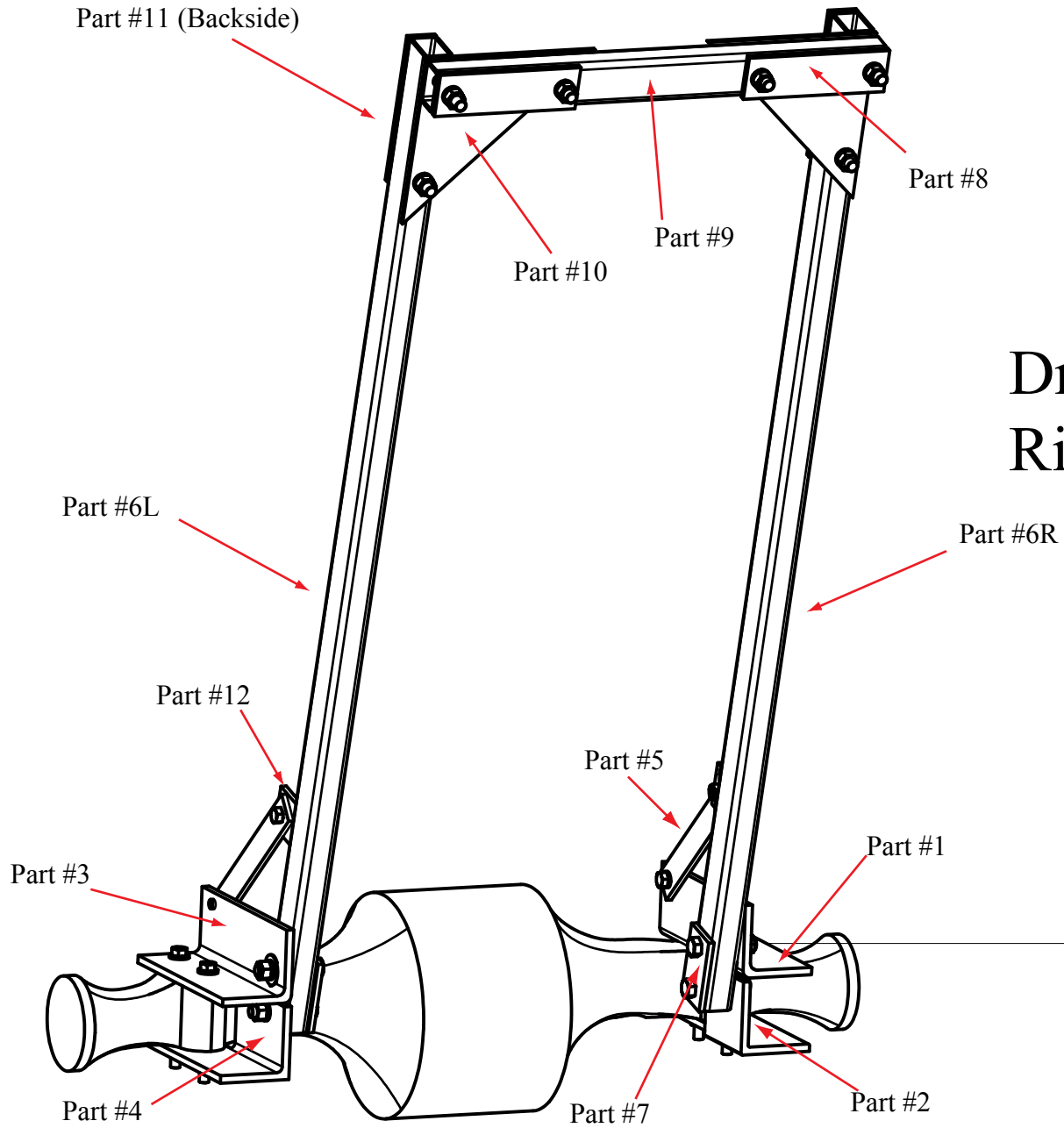
For a monthly update on news at NIOSH, subscribe to NIOSH eNews by visiting www.cdc.gov/niosh/eNews.

SAFER • HEALTHIER • PEOPLE™

MF 135 Parts

Driver's
Left Side

Driver's
Right Side

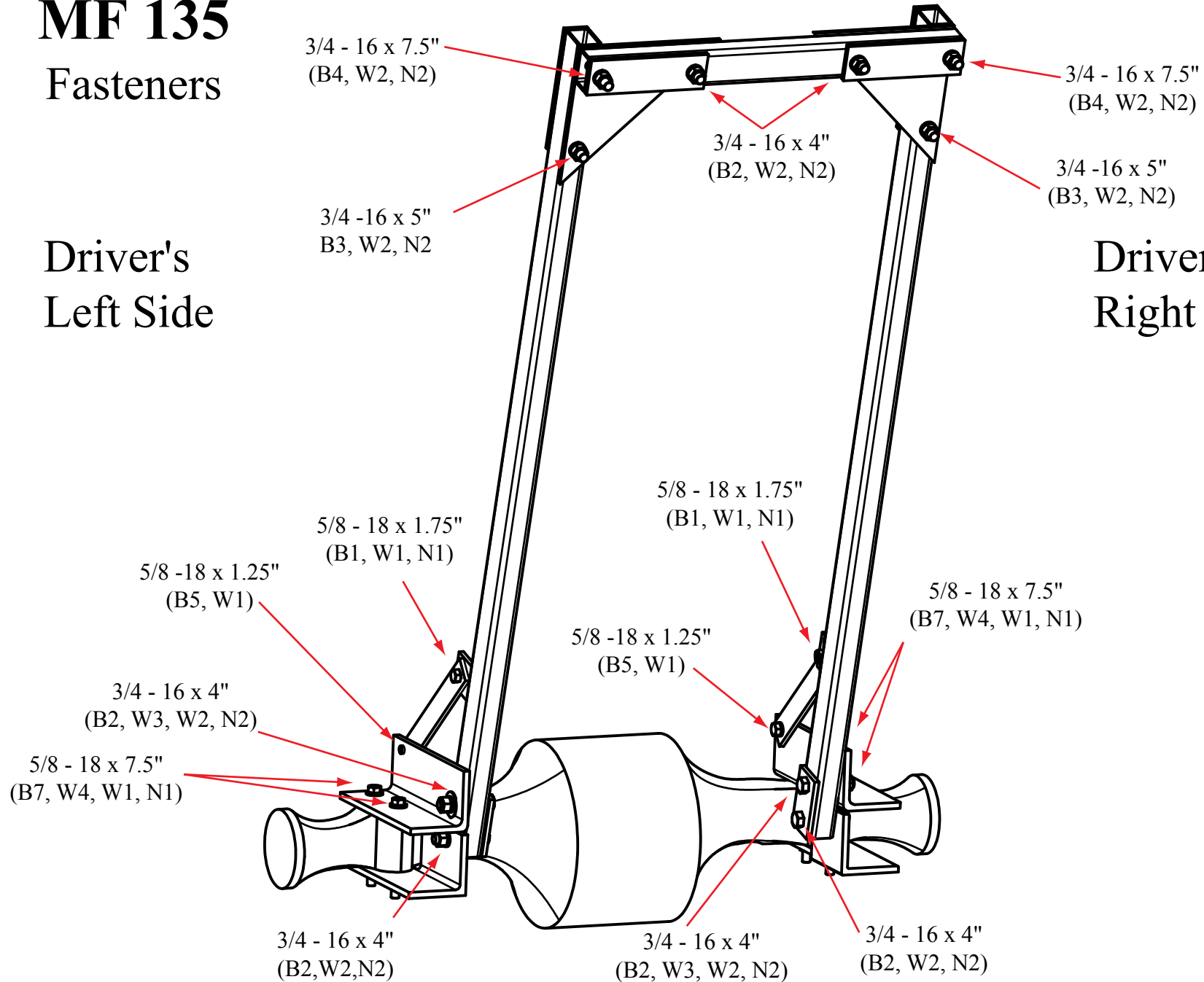


MF 135

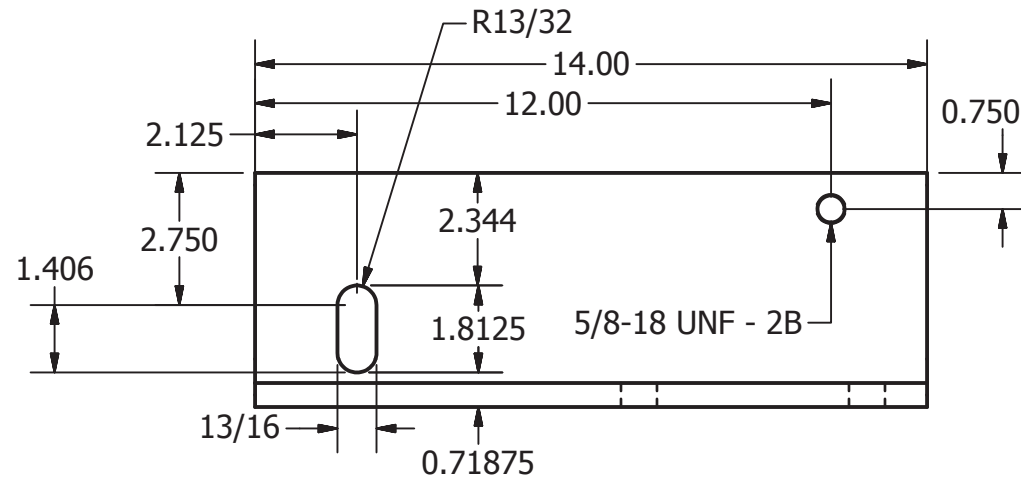
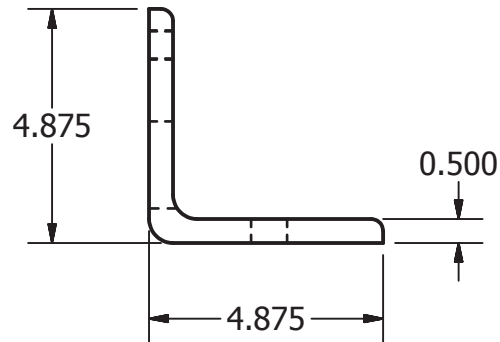
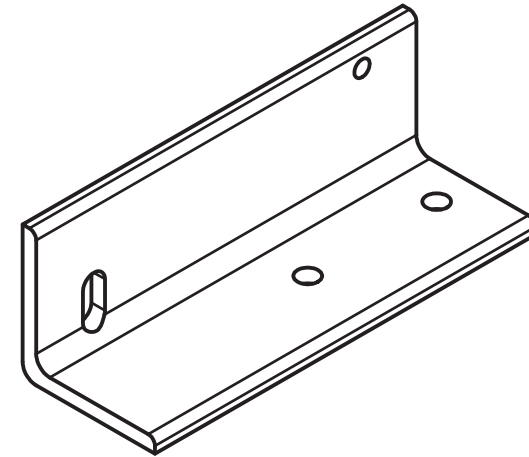
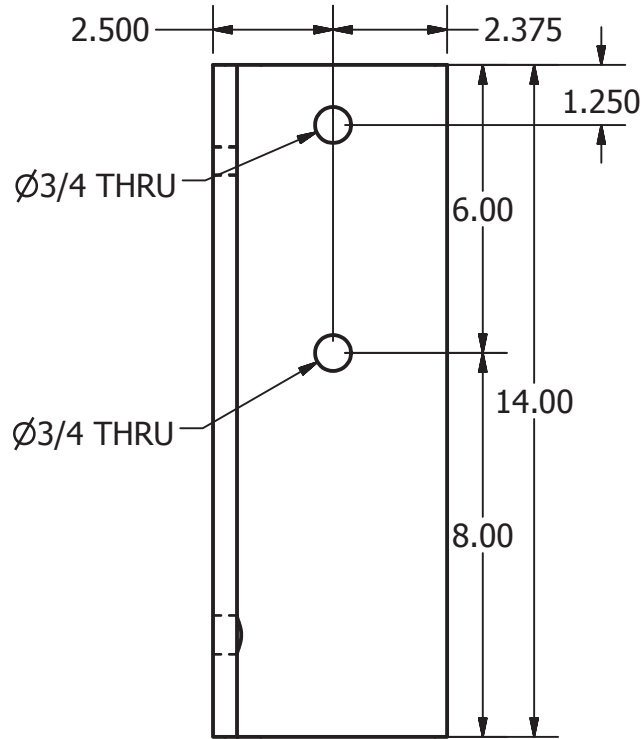
Fasteners

Driver's
Left Side

Driver's
Right Side



MF 135 Part #1
Top Right Axle Bracket
Rev 8/18/2011 EAM

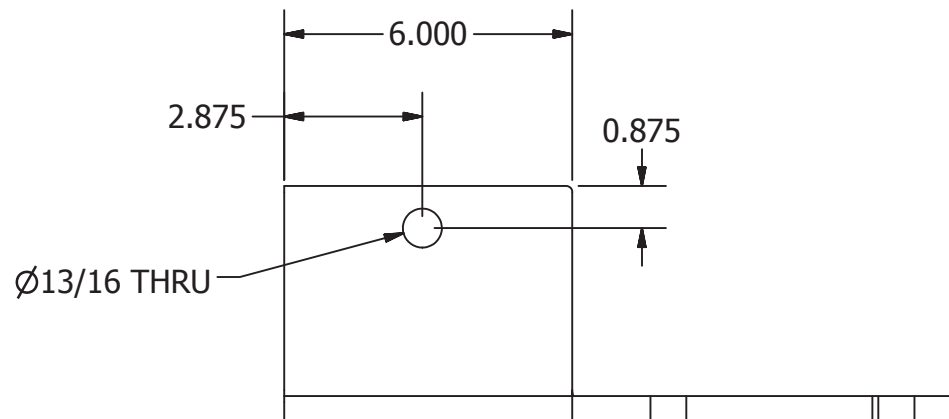
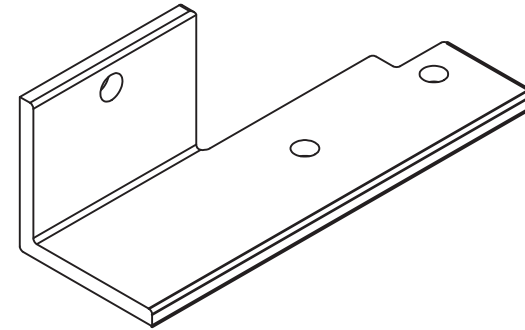
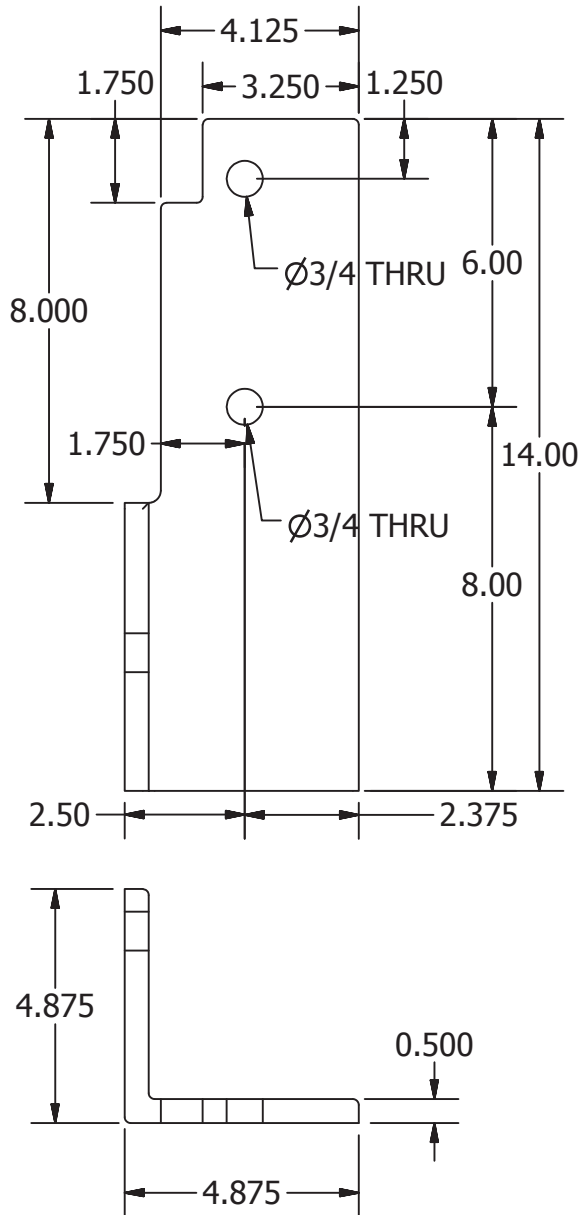


Units = Inches: A572-Grade 50 Plate (or A36 Min Yield of 50)

MF 135 Part #2

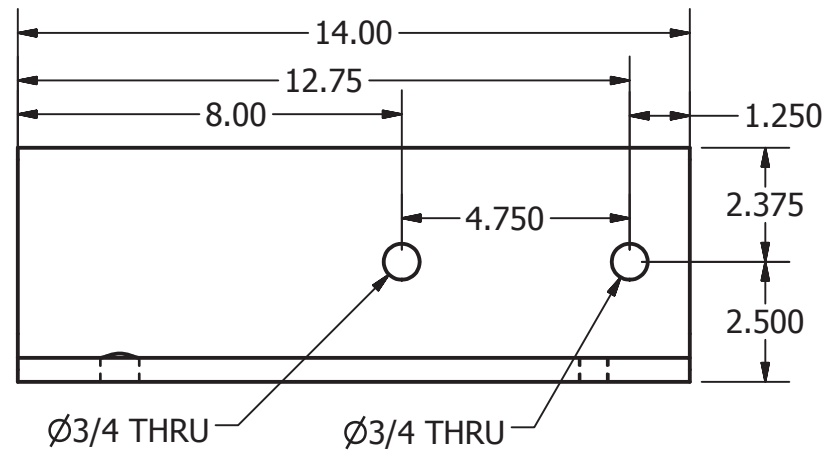
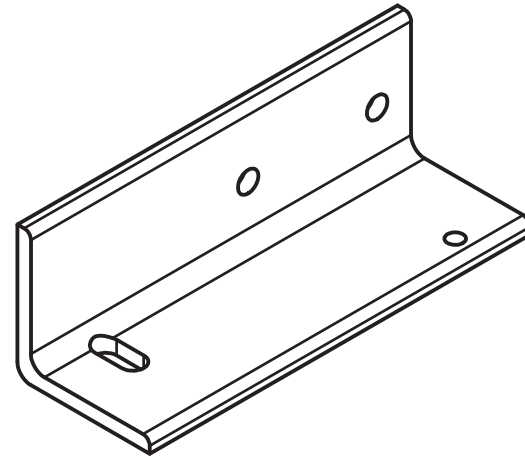
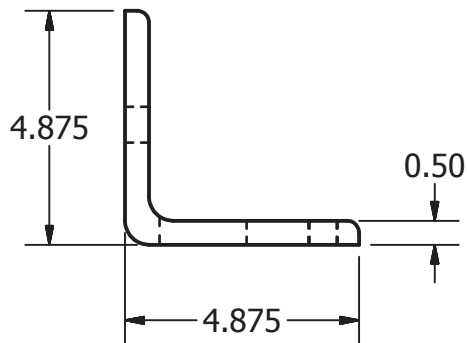
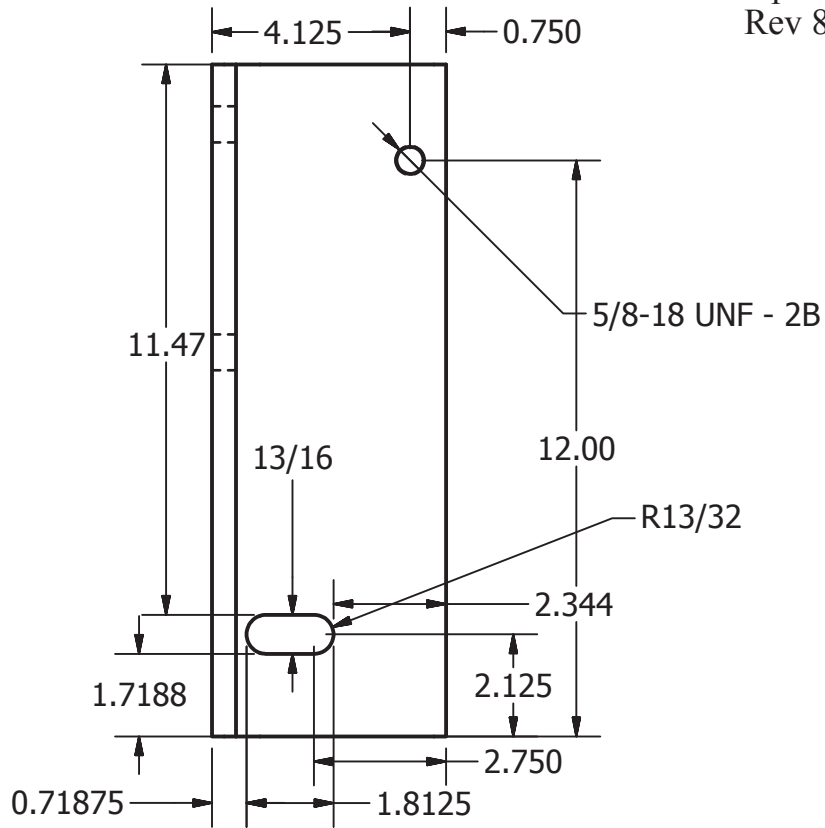
Bottom Right Axle Bracket

Rev 8/18/2011 EAM



MF 135 Part #3

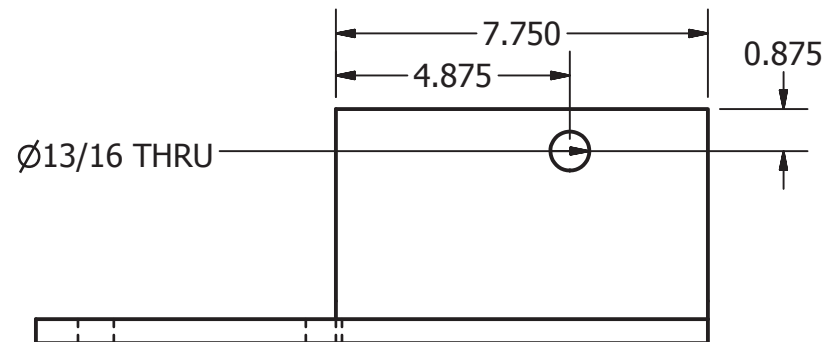
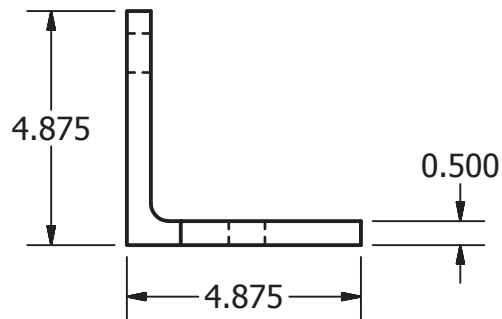
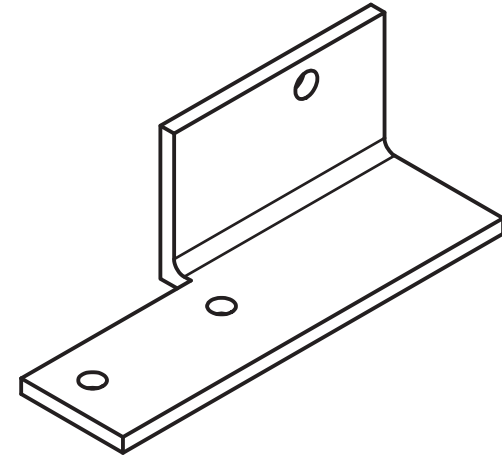
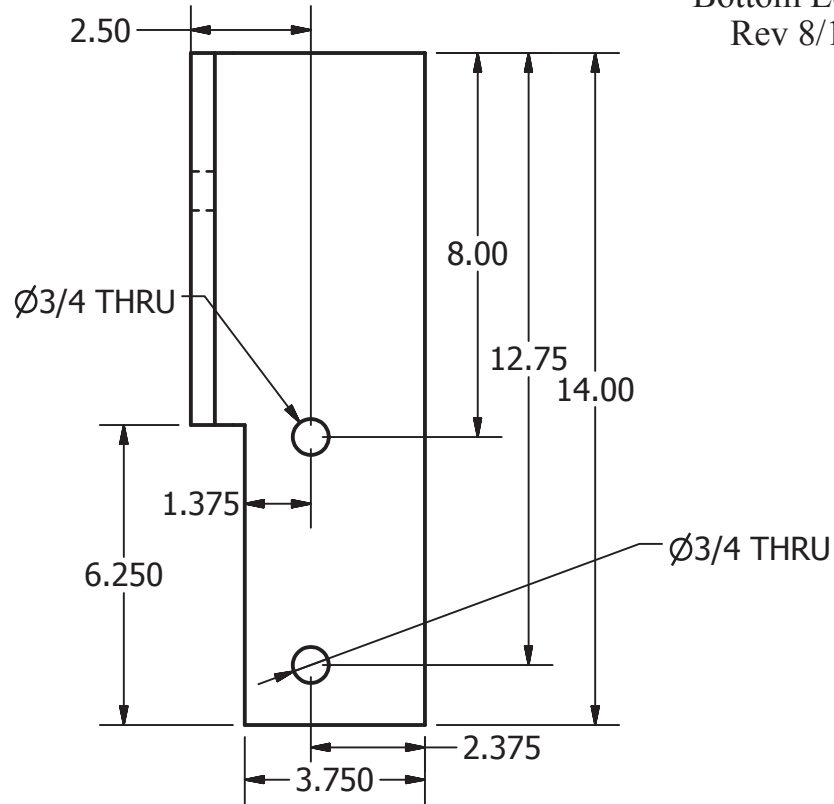
Top Left Axle Bracket
Rev 8/18/2011 EAM



MF 135 Part #4

Bottom Left Axle Bracket

Rev 8/18/2011 EAM

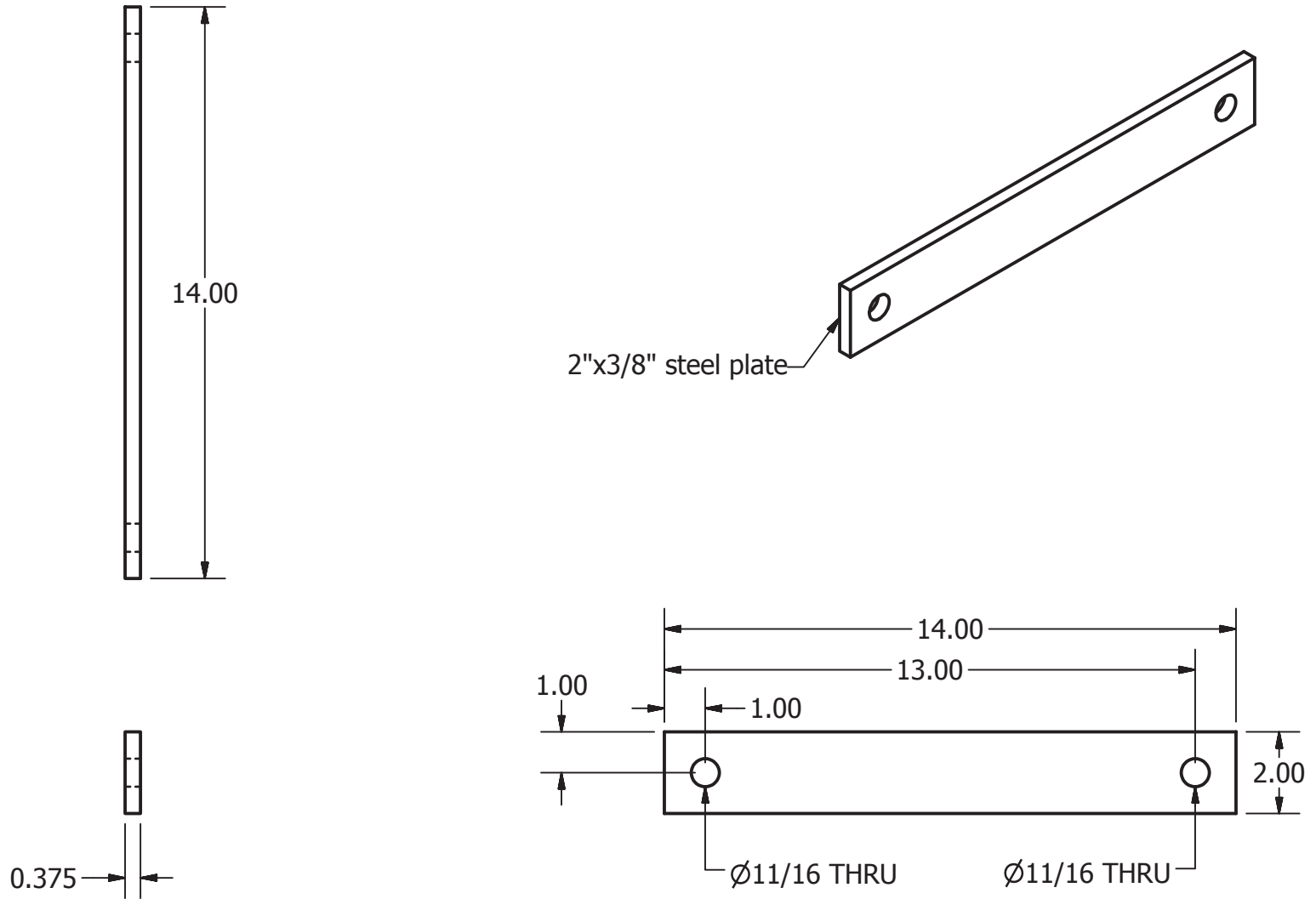


Units = Inches: A572-Grade 50 Plate (or A36 Min Yield of 50)

MF 135 Part #5

Vertical Tube Bolted Brace

Rev 8/18/2011 EAM

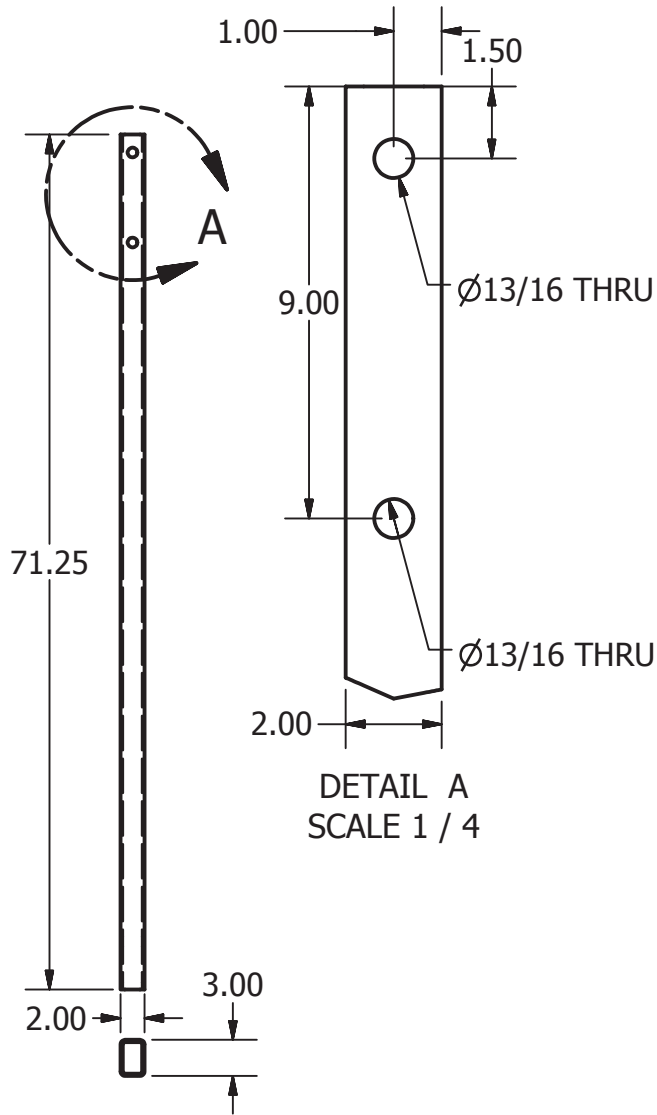


Units = Inches: A572-Grade 50 Plate (or A36 Min Yield of 50)

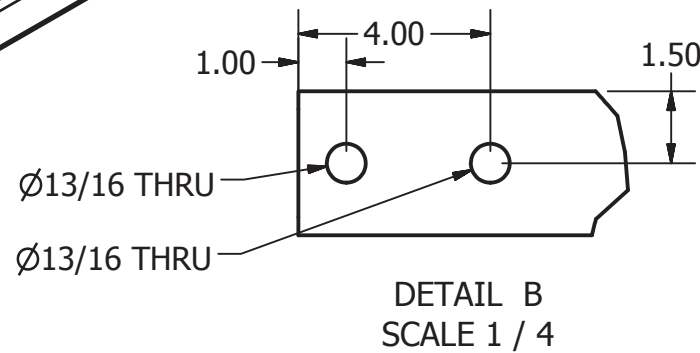
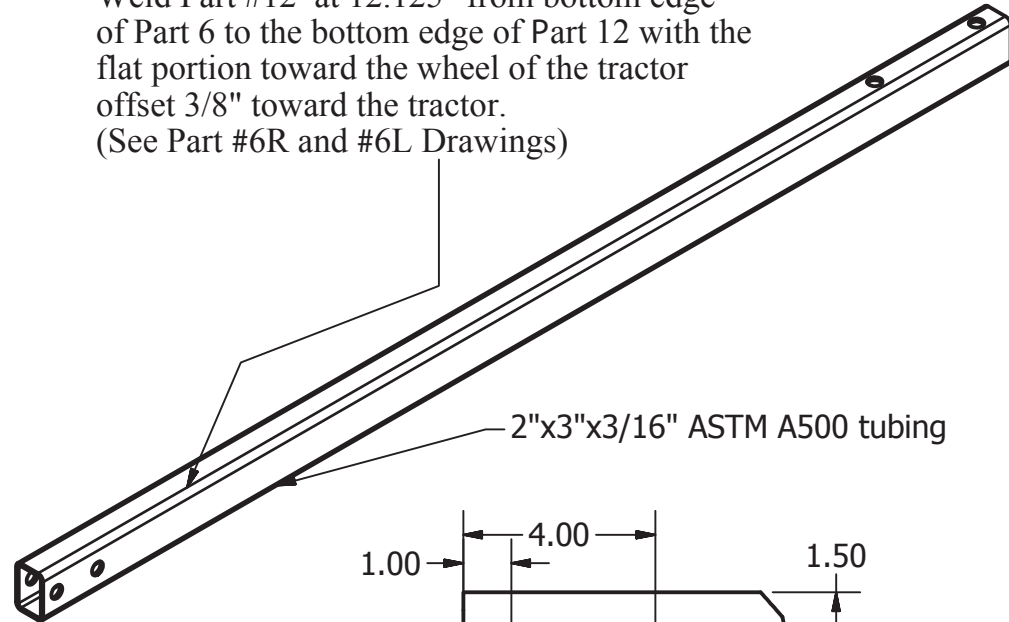
MF 135 Part #6

Vertical Tube

Rev 8/18/2011 EAM

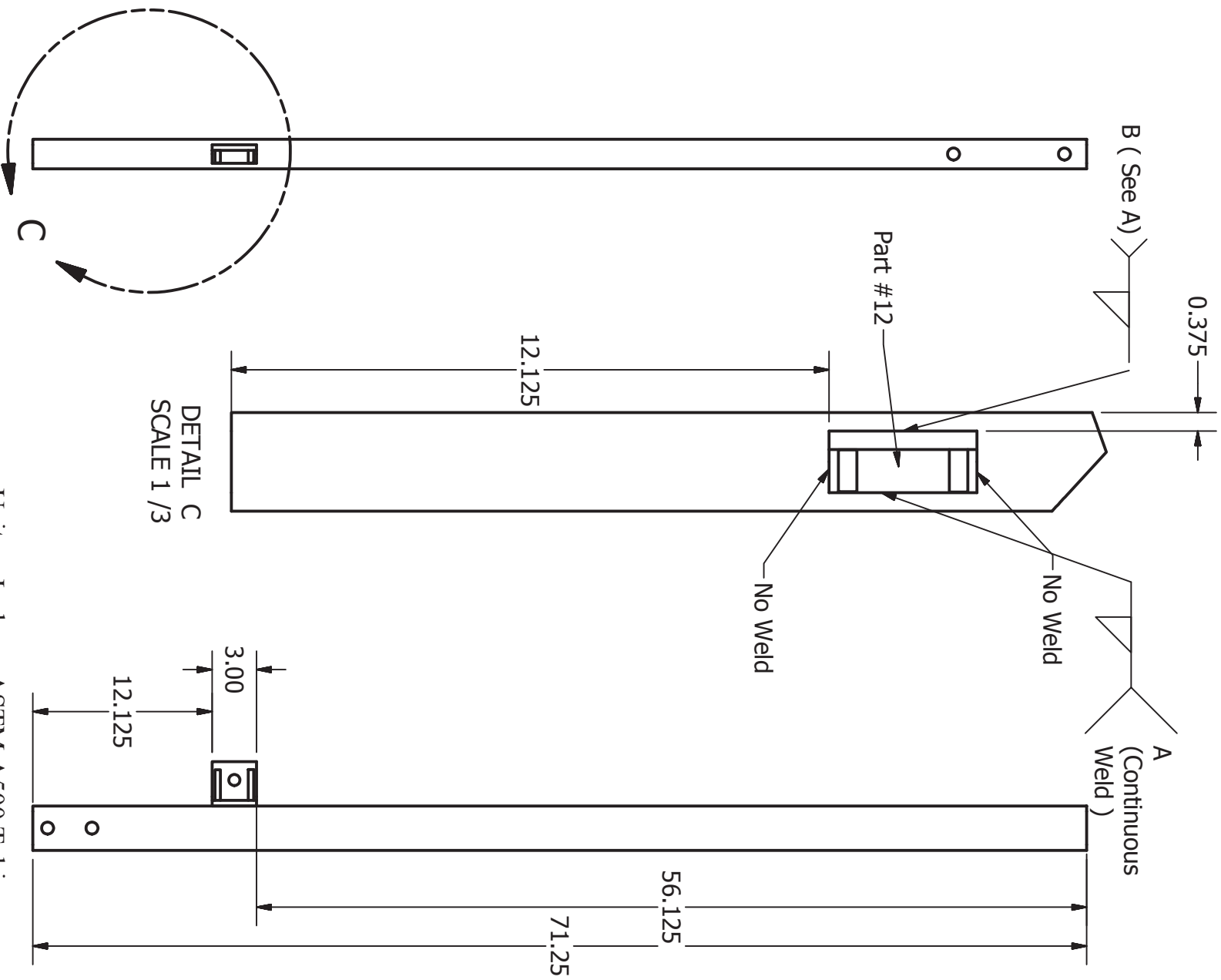


Weld Part #12 at 12.125" from bottom edge of Part 6 to the bottom edge of Part 12 with the flat portion toward the wheel of the tractor offset 3/8" toward the tractor.
(See Part #6R and #6L Drawings)



Units = Inches: ASTM A500 Tubing

MF 135 Part #6R
Right Vertical Tube
Rev 8/18/2011 EAM

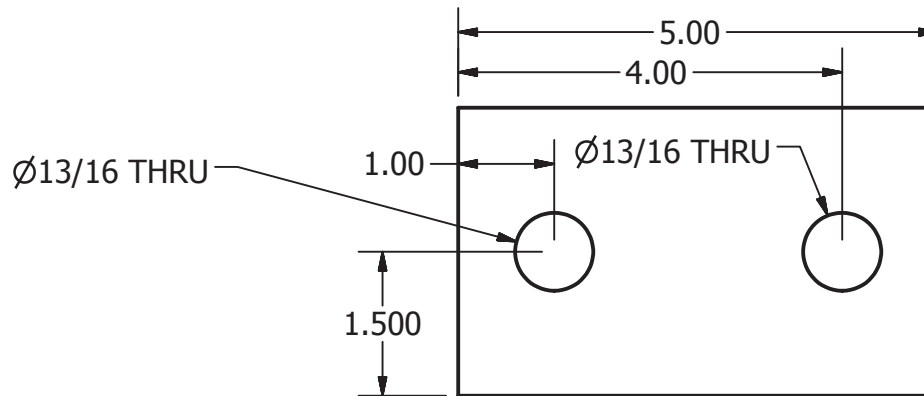
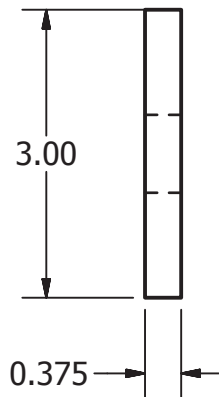
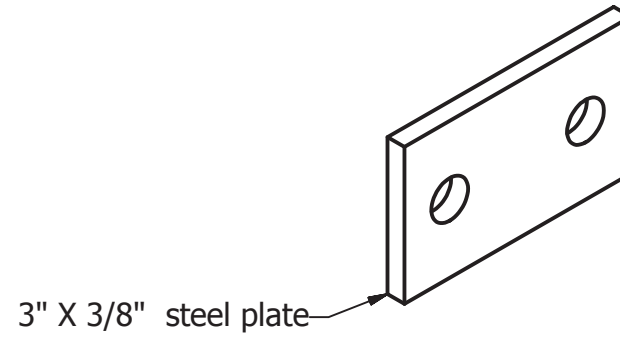
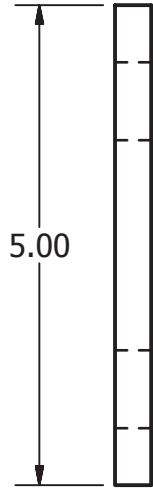


Units = Inches: ASTM A500 Tubing

MF 135 Part #7

Bottom Vertical Tube Backing Plate

Rev 8/18/2011 EAM

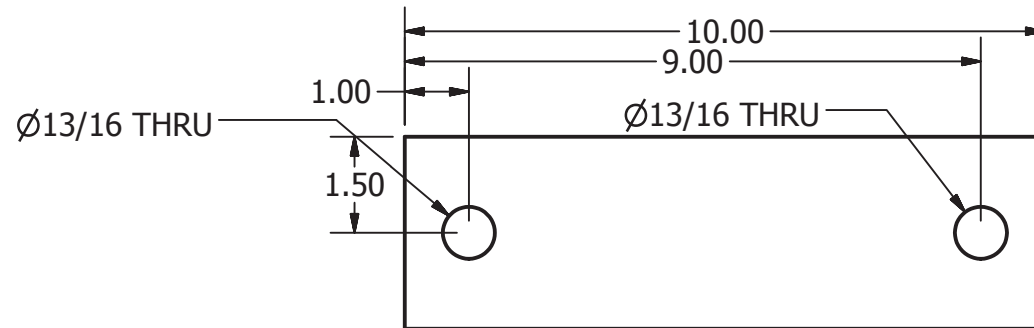
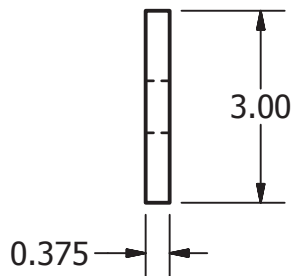
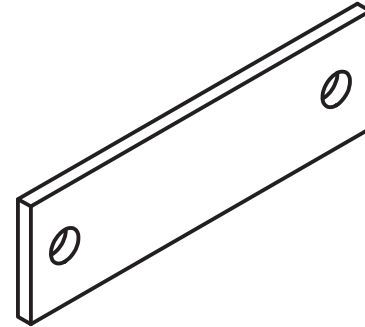
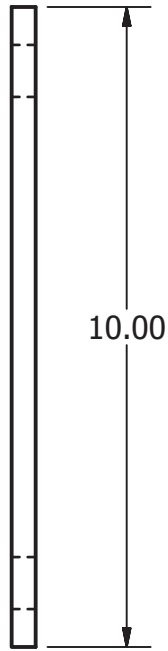


Units = Inches: A572-Grade 50 Plate (or A36 Min Yield of 50)

MF 135 Part #8

Cross Bar Backing Plate

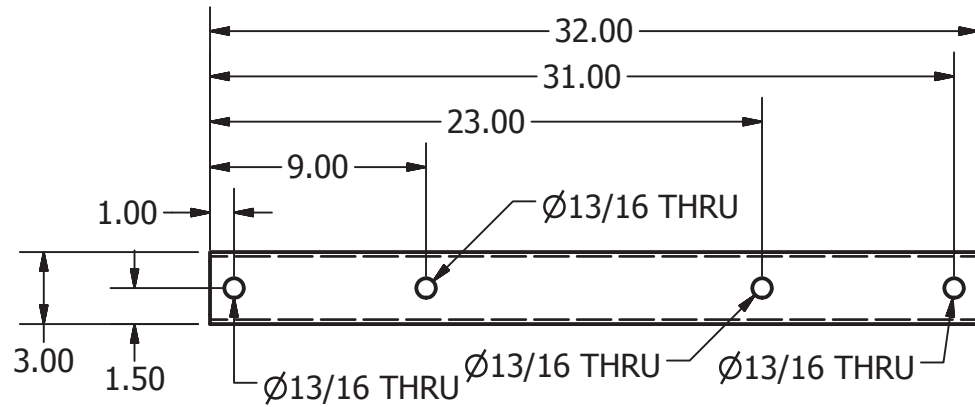
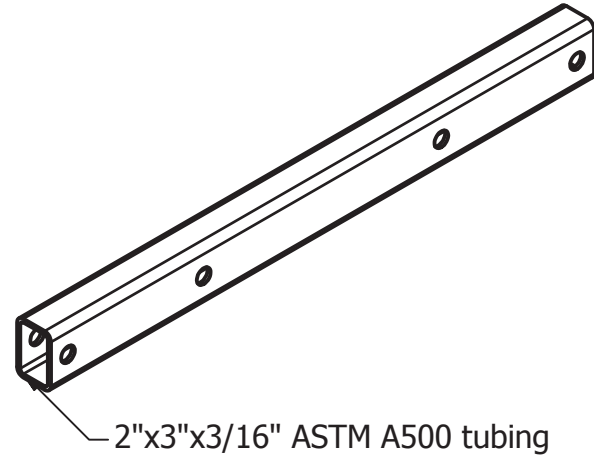
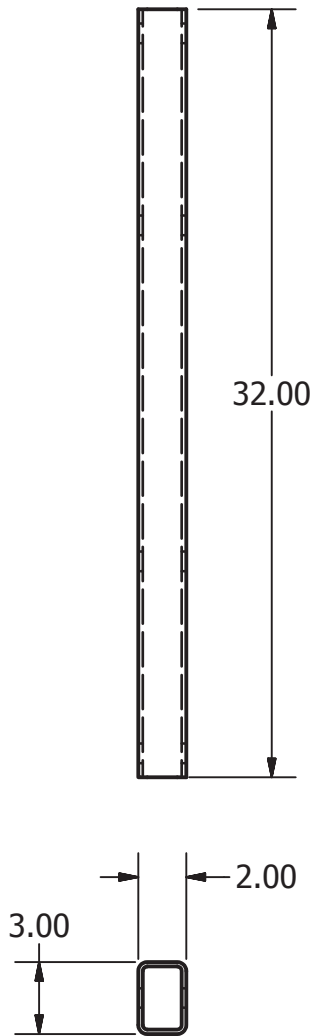
Rev 8/18/2011 EAM



Units = Inches: A572-Grade 50 Plate (or A36 Min Yield of 50)

MF 135 Part #9

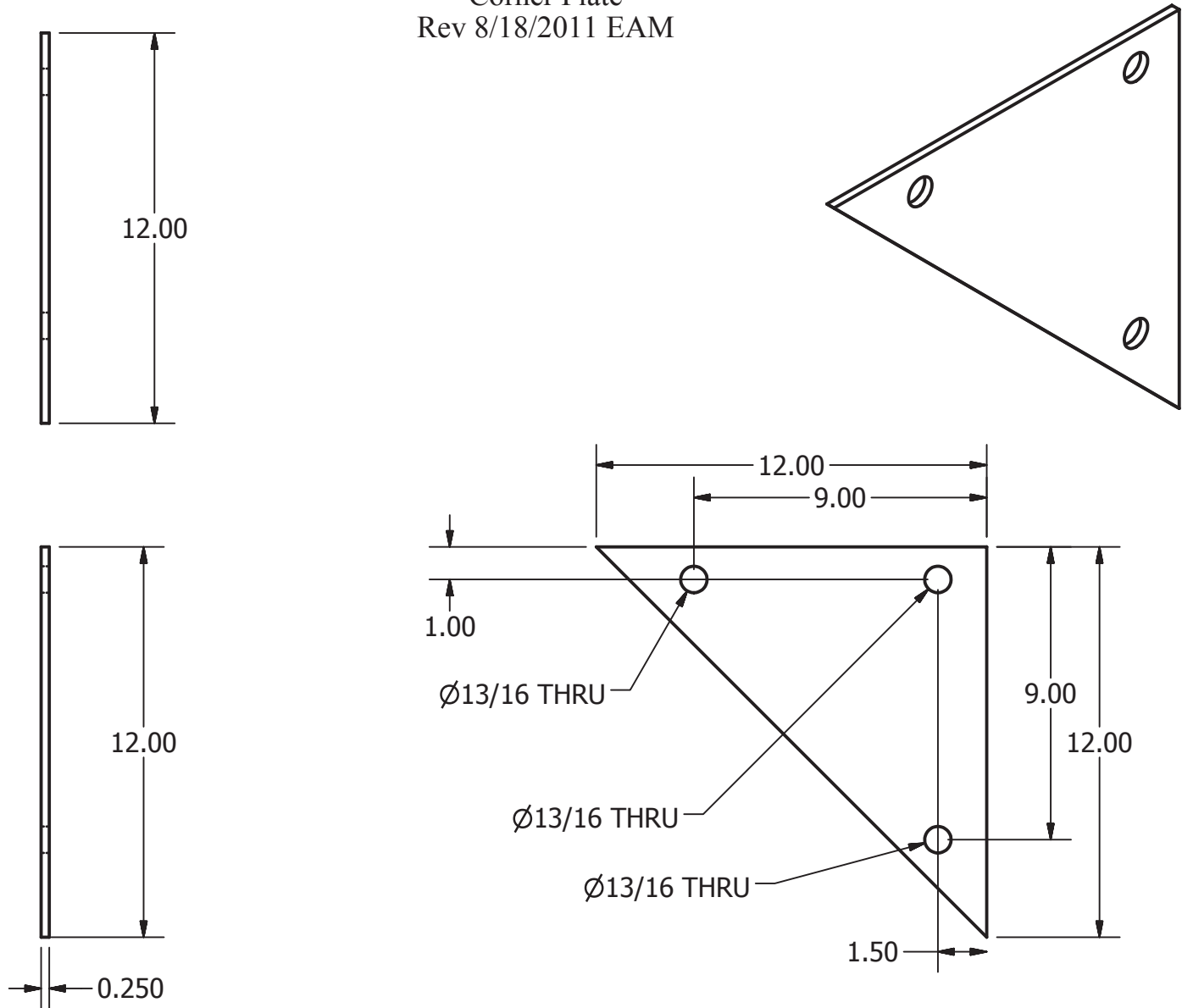
Cross Bar
Rev 8/18/2011 EAM



Units = Inches: ASTM A500 Tubing

MF 135 Part #10

Corner Plate
Rev 8/18/2011 EAM

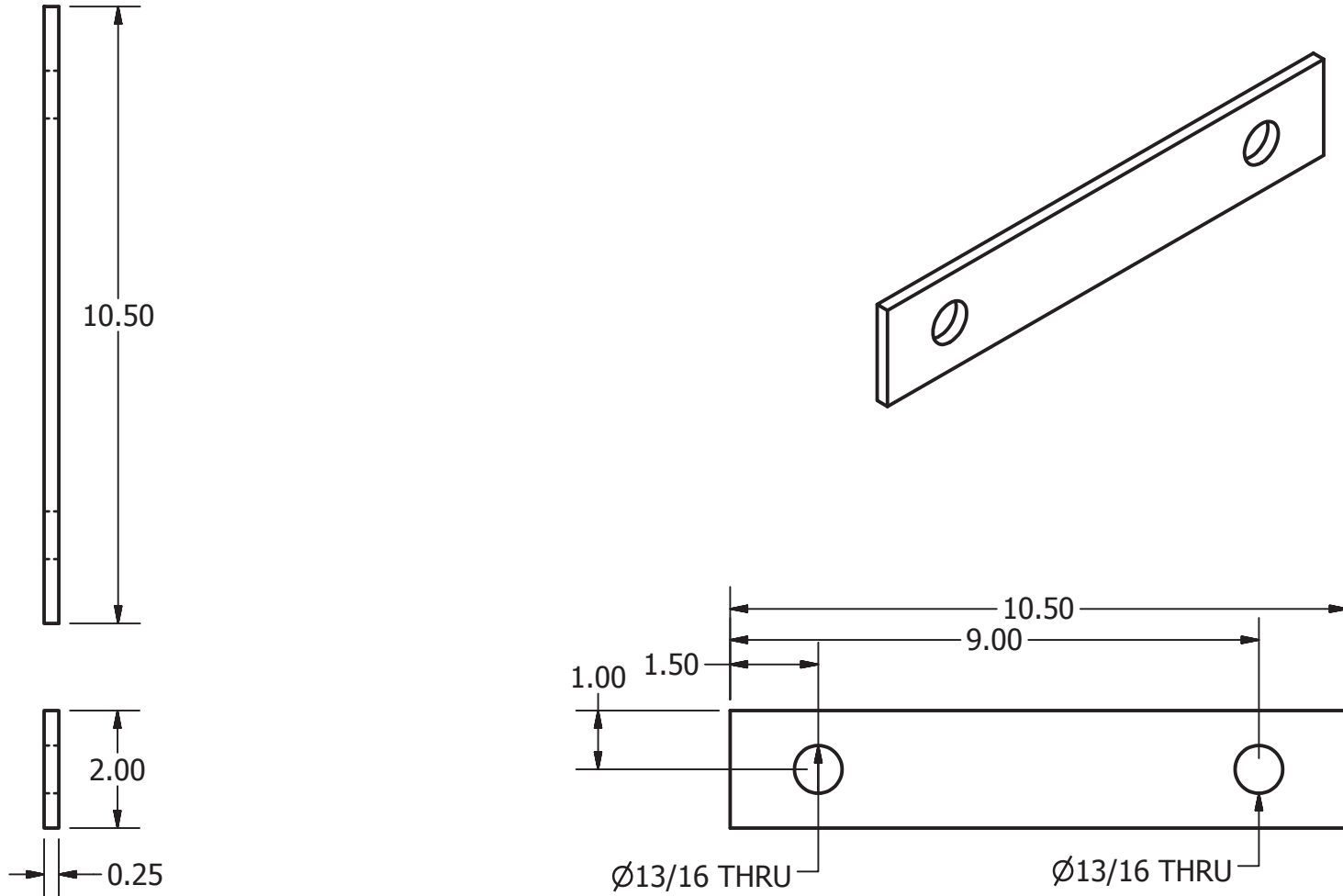


Units = Inches: A572-Grade 50 Plate (or A36 Min Yield of 50)

MF 135 Part #11

Top Vertical Tube Backing Plate

Rev 8/18/2011 EAM

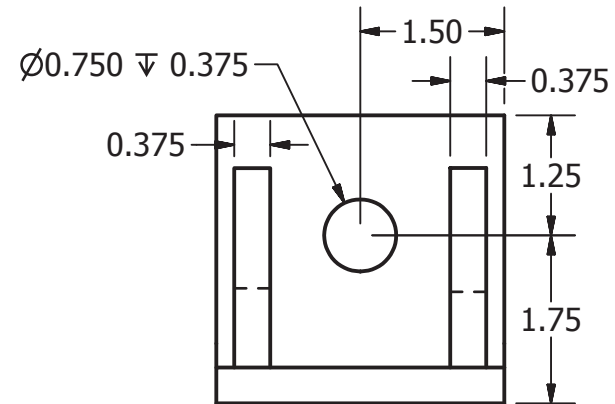
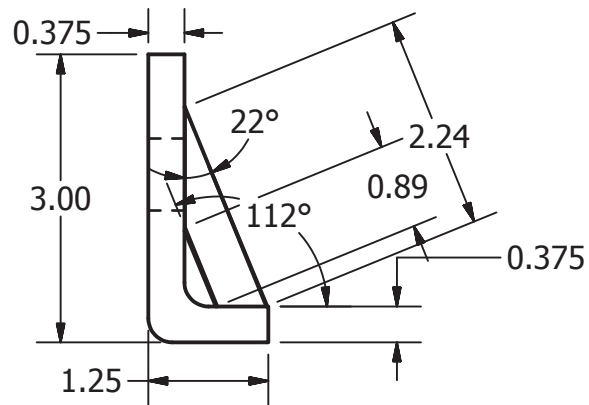
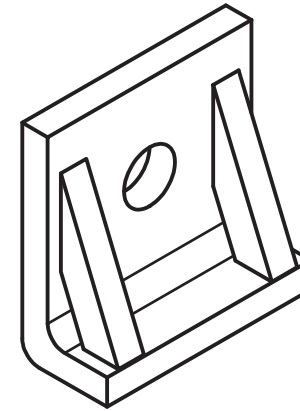
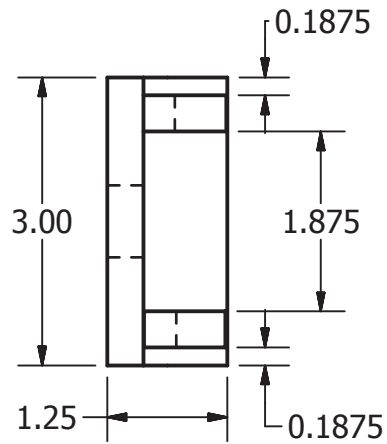


Units = Inches: A572-Grade 50 Plate (or A36 Min Yield of 50)

MF 135 Part #12

Vertical Tube Welded Brace

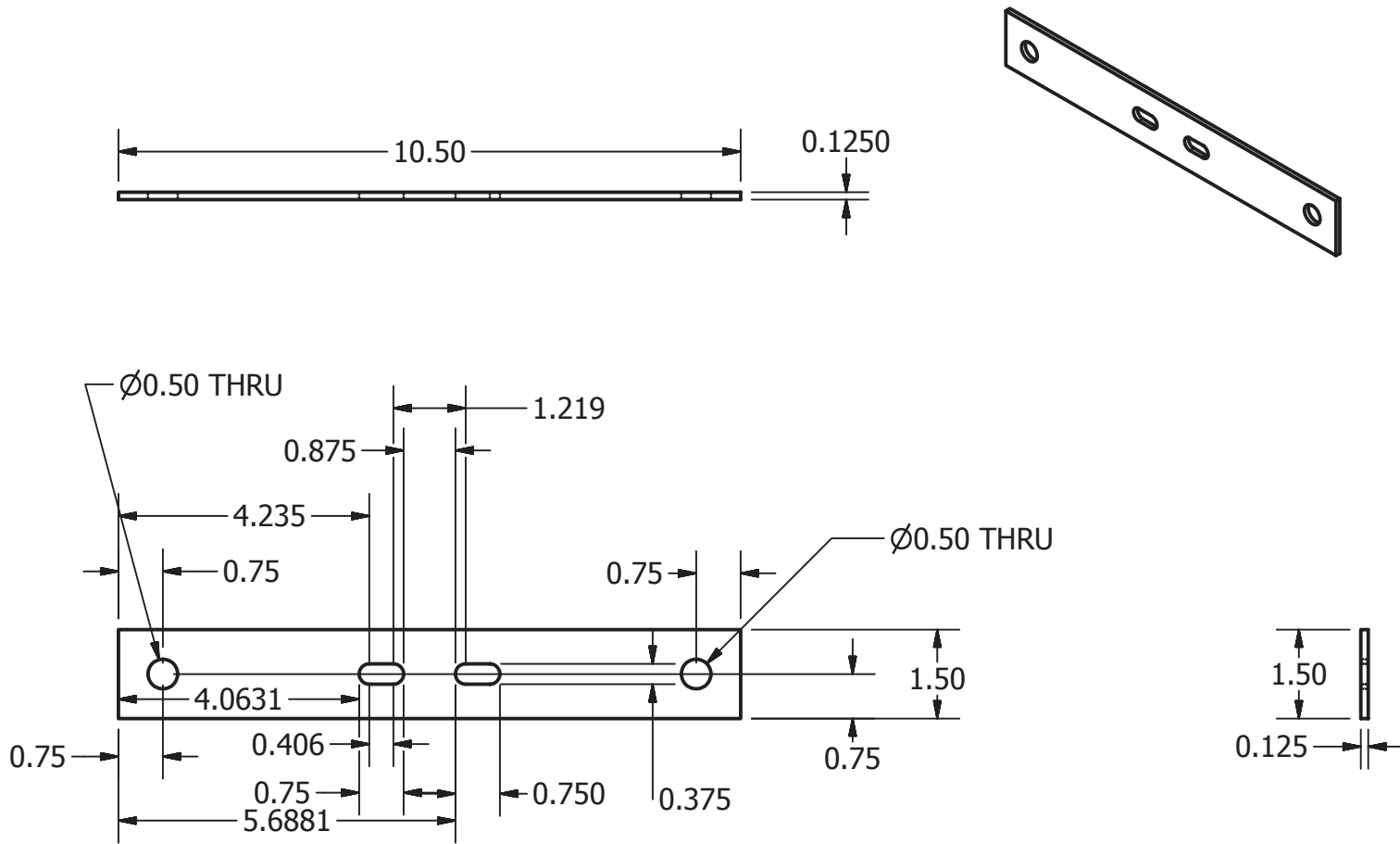
Rev 8/18/2011 EAM



Units = Inches: A572-Grade 50 Plate (or A36 Min Yield of 50)

MF 135 Part #13

Seat Belt Bracket
Rev 8/18/2011 EAM



Units = Inches: A572-Grade 50 Plate (or A36 Min Yield of 50)



**Delivering on the Nation's promise:
Safety and health at work for all people
through research and prevention**

To receive documents or other information about occupational safety and health topics, contact NIOSH at

Telephone: 1-800-CDC-INFO (1-800-232-4636)

TTY: 1-888-232-6348

E-mail: cdcinfo@cdc.gov

or visit the NIOSH Web site at www.cdc.gov/niosh.

For a monthly update on news at NIOSH, subscribe to NIOSH eNews by visiting www.cdc.gov/niosh/eNews.

SAFER • HEALTHIER • PEOPLE™